



Catalog Number
Notes
Type

# Contractor Select™ TWR LED

## LED Wall Pack Adjustable+Switchable+Photocell

The Lithonia Lighting® TWR wall packs combine the power of the latest generation of LEDs in a popular and classic day-form to provide exceptional energy savings. These wall packs give ultimate versatility to both the distributor and contractor by offering 18 configurations in one product with their standard Adjustable Lumen Output (ALO), Switchable color temperature (SWW2), and adjustable photocell (PE) features.

### FEATURES:

- Two sizes deliver from 2,300 lumens up to 16,100 lumens, replacing 70W to 400W HID luminaires
- Energy savings of up to 86% when replacing HID wall packs with less than two year paybacks
- Three power levels of adjustable lumen output. Switchable CCT(3000K/4000K/5000K) offers warm, cool and daylight in a single fixture
- Standard photocell can be turned on or off
- IP65 rated, Die-cast aluminum housing and borosilicate glass lens
- Up to 155 LPW



Catalog Number	Adjustable Lumen Output ALO			Switchable CCT SWW2	Dusk-to-Dawn Operation PE	Input Voltage	CRI
	2,300 Lumens	5,300 Lumens	8,500 Lumens*	Switchable 3000K, 4000K*, 5000K	Included Standard, Selectable On*/Off		
TWR1 LED ALO SWW2 UVOLT PE DDBTXD	2,300 Lumens	5,300 Lumens	8,500 Lumens*	Switchable 3000K, 4000K*, 5000K	Included Standard, Selectable On*/Off	120-347V	80CRI
TWR2 LED ALO SWW2 UVOLT PE DDBTXD	8,200 Lumens	12,100 Lumens	16,100 Lumens*				

\* - Default out of the box settings

### Made To Order Options

Ci Code	Input Voltage	Catalog Number	UPC	Number of fixtures per pallet	Traditional Replacement
*280GX1	120-277V	TWR1 LED ALO SWW2 MVOLT PE E7WC DDBTXD	00196183389954	60	70W - 250W HID
*2822T3	480V	TWR2 LED ALO SWW2 480 DDBTXD	00196183765819	32	250W - 400W HID

\* Note: Made to order options are available with normal lead time

### TWR LED Stock Configurations

Catalog Number	UPC	Ci Code	Number of fixtures per pallet	Traditional Replacement
TWR1 LED ALO SWW2 UVOLT PE DDBTXD	00196183389947	*280GWW	50	70W - 250W HID
TWR2 LED ALO SWW2 UVOLT PE DDBTXD	00196183390028	*280GX5	40	250W - 400W HID



## Specifications

### INTENDED USE:

The TWR LED combines traditional wall pack design with latest generation LEDs to provide an energy-efficient, low maintenance LED wall pack suitable for replacing up to 400W Metal Halide fixtures. The traditional shape helps maintain building aesthetics when replacing only a portion of your building's wall packs. TWR LED is ideal for outdoor applications such as carpools, loading areas, self storage and parking areas.

### CONSTRUCTION:

Rugged cast-aluminum housing with bronze polyester powder paint for lasting durability. Door is hinged on the side and can be detached for easy installation and service. Castings are sealed with a one-piece gasket to inhibit the entrance of external contaminants. Rated for outdoor installations, -40°C minimum ambient.

### ELECTRICAL:

Light engine consists of long-life, high-efficacy LEDs mounted on an internal aluminum heat sink to maximize heat dissipation and promote long life. LEDs maintain 90% of light output at 50,000 hours of service. (LED lifespan based on IESNA LM-80-08 results and calculated per IESNA TM-21-11 methodology. The UVOLT driver operates on any line voltage from 120-347V (50/60Hz). All luminaires have 6kV surge protection. There are no user serviceable parts. The fixture is supplied with a 0-10V driver and is dimmable by 0-10V controls.

### BATTERY SPECS:

Emergency battery backup E7WC is a 7 Watt back up battery that delivers up to 1,000 lumens in emergency mode. The lowest operating temperature is -20°C and is compatible with the MVOLT model TWR1.

### INSTALLATION

Designed for wall mounting above four feet from ground. Housing is configured for mounting directly over a standard 4" outlet box (by others) or for surface wiring via any of four convenient 1/2" threaded conduit entry hubs.

### LISTINGS:

UL Listed to U.S. and Canadian safety standards for wet locations. Tested in accordance with IESNA LM-79 and LM-80 standards.

DesignLights Consortium® (DLC) Premium qualified product and DLC qualified product. Not all versions of this product may be DLC Premium qualified or DLC qualified. Please check the DLC Qualified Products List at [www.designlights.org/OPL](http://www.designlights.org/OPL) to confirm which versions are qualified.

### WARRANTY:

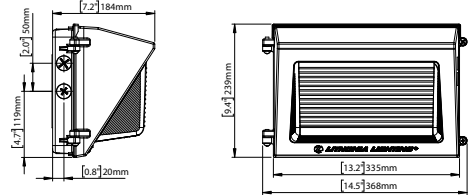
5-year limited warranty. This is the only warranty provided and no other statements in this specification sheet create any warranty of any kind. All other express and implied warranties are disclaimed. Complete warranty terms located at: [www.acuitybrands.com/support/warranty/terms-and-conditions](http://www.acuitybrands.com/support/warranty/terms-and-conditions)

**Note:** Actual performance may differ as a result of end-user environment and application. All values are design or typical values, measured under laboratory conditions at 25 °C. Specifications subject to change without notice.

## Dimensions

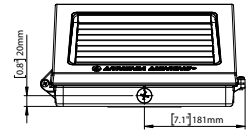
### TWR1:

Width: 13.2" / 33.5cm  
Height: 9.4" / 23.9cm  
Depth: 7.2" / 18.4cm  
Weight: 7.5lbs (3.4kg)



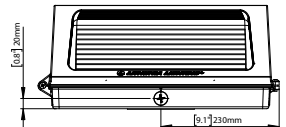
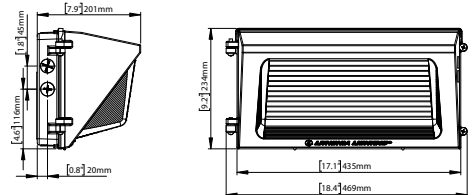
### TWR1 E7WC:

Width: 15.25" / 38.74cm  
Height: 10.75" / 27.31cm  
Depth: 8.75" / 22.23cm  
Weight: 9.66lbs (4.38kg)



### TWR2:

Width: 17.1" / 43.5cm  
Height: 9.2" / 23.4cm  
Depth: 7.9" / 20.1cm  
Weight: 12.1lbs (5.5kg)



All dimensions are inches (centimeters) unless otherwise indicated.

## Additional Information

Color Temperature Adjustment	
Color Temperature	Multiplier
2700K	.967
3000K	.984
3500K	1.000
4000K	1.032

LED Performance	
Color Rendering Index	80CRI Standard (90CRI Available)
L70 (Projected):	>72,000 hours
<b>Warranty</b>	<b>5 years</b> (electrical components retain the component manufacturer warranty).

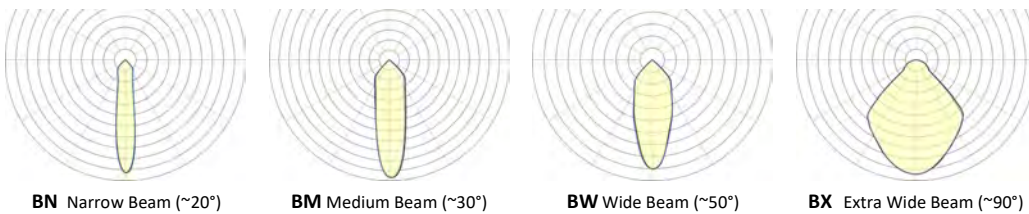
### Camman Plus Customizations



Camman **Standard Plus** products provide an extra degree of freedom to customize most standard products, including dimensions, finish, performance, and adding or removing details.

Visit [www.cammanlighting.com/plus](http://www.cammanlighting.com/plus) to learn more about the Plus program, and visit this fixture to see what specific options might be available.

### Downlight Optics: Distribution

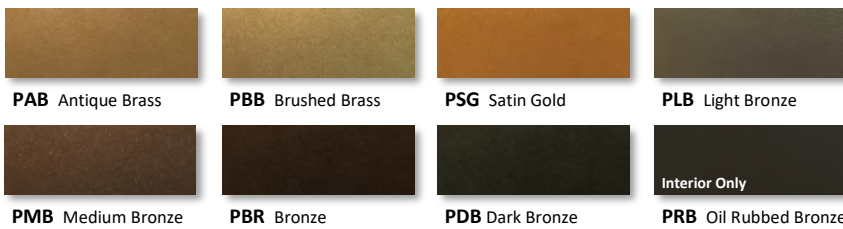


## Standard Finishes

### MODERN



### NEUTRAL



### TEXTURES

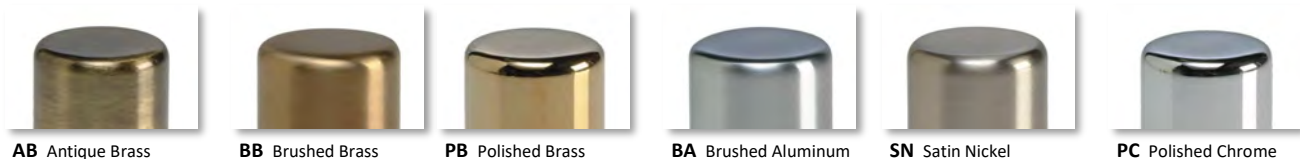


### COLORS



**ARCHITECT & OWNER TO SELECT FROM AVAILABLE FINISHES UPON REVIEW OF PHYSICAL SAMPLES**

## Premium Finishes



- Colors are for reference only and may vary per monitor.
- See [cammanlighting.com/resources](http://cammanlighting.com/resources) for more information, or contact your local rep for finish samples.



## FEATURES & SPECIFICATIONS

**INTENDED USE** — Ideal for applications requiring low-profile, attractive emergency lighting with Optional normally-off or normally-on with photocell control. Provides a minimum of 90 minutes of illumination both indoors and outdoors upon loss of AC power. **Certain airborne contaminants can diminish the integrity of acrylic and/or polycarbonate. [Click here for Acrylic-Polycarbonate Compatibility table for suitable uses.](#)**

**CONSTRUCTION** — Compact, low-profile, architectural design with die-cast aluminum housing. Finishes are texturized powder coat paint for dark bronze, white, black and non-texturized for natural aluminum. Test switch indicator light and remote enabled are located on the bottom of the housing and are easily accessible and visible from the floor.

**OPTICS** — LEDs with L70 of 55,000 hours. Delivers 635 lumens in Normal-On and Emergency operation. Optional field configurable for wide and forward throw distribution (**U.S. Patent No. -US10236712 B2**). Outdoor wide throw distribution: 70' (3' path of egress) at a 7.5' mounting height with 1 FC Average. 4,000K correlated color temperature (CCT). 70 CRI.

**ELECTRICAL** — UVOLT (120 thru 347V, 50/60hz). Current-limiting charger maximizes battery life and minimizes energy consumption to provide low operating costs. Small battery chargers Certified in the CA Title 20 Appliance Efficiency Database

Short-circuit protection — current-limiting charger circuitry protects printed circuit board from shorts. Regulated charge voltage maintains a stable charge voltage over a wide range of line voltages.

Prevents over/undercharging that shortens battery life and reduces capacity. Filtered charger input minimizes charge voltage ripple and extends battery life.

Photocell option (PEL) for normally on product in order to discontinue illumination during periods when ambient light is present. Photocell option (PEL) for normally on products allow the user to force lamp illumination by user control (external switch). When power is not connected to switched line, illumination will respond to internal daylight sensor. For switched line applications, no other types of products shall be connected on the switched leg.

Remote units (OELR) are normally off. Emergency only functionality with DC power from an external battery.

**BATTERY:** Sealed, maintenance-free Lithium Iron Phosphate battery.

**SELF-DIAGNOSTICS AND REMOTE TEST (SDRT OPTION):** Automatic 24-hour recharge after a 90-minute discharge. Advanced electrical design provides constant light output throughout the entire discharge period for non-CW batteries. (For cold weather and cold temperature applications, the light may diminish though the discharge cycle). Brownout protection is automatically switched to emergency mode when supply voltage drops below approximately 80 percent nominal of 120, 220, 277 or 347. Other input voltages may vary. AC/LVD re-set allows battery connection before AC power is applied and prevents battery damage from deep discharge.

Self-Diagnostics: Continuously monitors AC functionality. Standard derangement monitoring will indicate disconnected battery, charger failure and displays green flashing indicator light while in emergency mode. Single multi-chromatic LED indicator to display two-state charging, test activation and three-state self-diagnostics.

Self-diagnostic testing: Five minutes every 30 days and 90 minutes annually. Diagnostic evaluation of lamps, AC to DC transfer, battery charging and condition of microprocessor. Automatic test is easily postponed for eight hours by activating manual test switch or use of remote tester (RTKIT accessory).

Manual testing: Test switch and remote tester (RTKIT accessory) provides manual activation of 60-second diagnostic testing for on-demand visual inspection. 90 minute manual testing can be enabled by pressing the test switch again while in test mode.

**INSTALLATION** — Wall mount: typically meets 7.5' to 14' mounting height from ground or floor. Power supplied by either mounting directly to a 4" square or 4" octagon j-box (wall mount) and accepts rigid or flex conduit.

**LISTINGS** — UL wet location listed standard at 32-122°F (0-50°C). Unit with CW battery(cold weather) listed for -22°F to 122°F (-30° to 50°C). Remote listed for -40°F to 122°F (-40° to 50°C). Meets or exceeds all applicable requirements for UL 924, NFPA 101 (current Life Safety code), NFPA 70 (NEC), NOM (Norma Oficial Mexicana), California Energy Commission Title 20 section 1605.3 (W)(4), FCC Title 47, Part 15, Subpart B and OSHA. List and labeled to comply with Canadian Standards C22.2 No. 141-10. Meets City of Chicago Code.

**BUY AMERICAN ACT** — Product with the BAA option is assembled in the USA and meets the Buy America(n) government procurement requirements under FAR, DFARS and DOT regulations. Please refer to [www.acuitybrands.com/buy-american](http://www.acuitybrands.com/buy-american) for additional information.

**WARRANTY** — 5-year limited warranty (Battery is prorated). This is the only warranty provided and no other statements in this specification sheet create any warranty of any kind. All other express and implied warranties are disclaimed. Complete warranty terms located at: [www.acuitybrands.com/support/warranty/terms-and-conditions](http://www.acuitybrands.com/support/warranty/terms-and-conditions)

**Note:** Actual performance may differ as a result of end-user environment and application. All values are design or typical values, measured under laboratory conditions at 25 °C. Specifications subject to change without notice.

Catalog Number
Notes
Type

Premium Die-Cast Architectural Emergency Light

# AFF



without photocell (white)



without photocell (natural aluminum)



with photocell (white)



with photocell (dark bronze)

## MOUNTING

All dimensions are inches (centimeters).

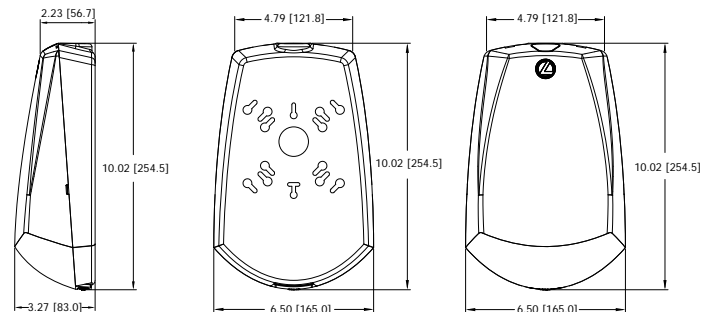
Shipping weight: 3.5 lbs. (1.59 kgs.)

Length: 6 1/2 (16.51)

Depth: 3 27/100 (8.30)

Height: 10 ( 25.45)

Weight : 3.5 lbs ( 1.59kg)



† Small Battery Chargers Certified in the CA Title 20 Appliance Efficiency Database.



# AFF Signature® Premium Die-Cast Architectural Emergency Light

## SELF-POWERED MODELS

### ORDERING INFORMATION

For the shortest lead times, configure product using **bolded options**.

**Example:** AFF PEL DWHGXD UVOLT LTP SDRT WT

Series	Unit Type <sup>1</sup>	Housing Color	Voltage	Battery Type	Automatic Testing	Optics	Options
<b>AFF</b> Signature® Premium	<b>PEL</b> Photocell: Normally-ON with internal battery <b>OEL</b> Normally-OFF with internal battery	<b>DWHGXD</b> White textured <b>DBLBXD</b> Black textured <b>DNAXD</b> Natural aluminum <b>DDBTXD</b> Dark bronze textured	<b>UVOLT</b> 120-347VAC, 50/60Hz	<b>LTP</b> Lithium Iron Phosphate	<b>SDRT</b> Self-diagnostics remote test	<b>WT</b> Wide Throw <b>FCT</b> Field configurable throw <sup>2</sup>	<b>CW</b> Cold Weather (-30 - 50C) BAA Buy America(n) Act Compliant

#### Notes

<sup>1</sup> AFF with internal battery is not remote capable.

## REMOTE MODELS listed for -40°F to 122°F (-40° to 50°C)

### ORDERING INFORMATION

For the shortest lead times, configure product using **bolded options**.

**Example:** AFF OELR DWHGXD WT

Series	Unit Type	Housing Color	Voltage	Optics	Options
<b>AFF</b> Signature® Premium	<b>OELR</b> Remote fixture, Normally OFF (requires external battery source)	<b>DWHGXD</b> White textured <b>DBLBXD</b> Black textured <b>DNAXD</b> Natural aluminum <b>DDBTXD</b> Dark bronze textured	<b>(blank)</b> Universal DC voltage (8-30VDC)	<b>WT</b> Wide Throw <b>FCT</b> Field configurable throw <sup>1</sup>	BAA Buy America(n) Act Compliant

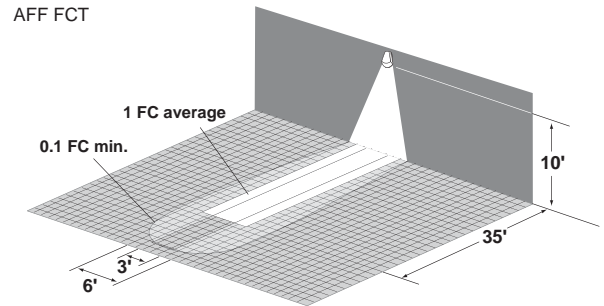
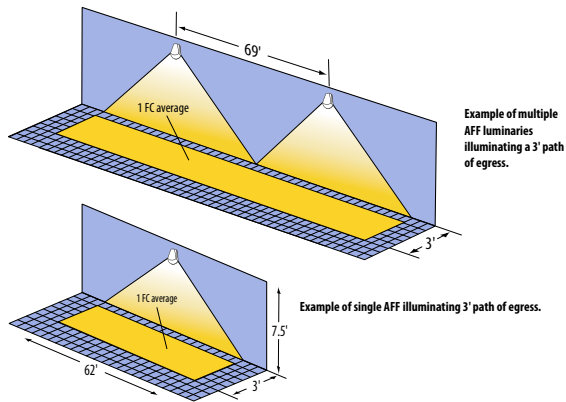
#### Notes

<sup>1</sup> FCT optics ships standard in the WT (wide throw) mode. Upon installation, configuration can be changed to the FCT mode.

### Accessories: Order as separate catalog number.

RTKIT Remote test kit, up to 40' away (includes goggles, laser and battery)

## AFF SPACING GUIDELINES



### Maximum Spacing Guidelines - AFF (WT)

Mounting Height	Illumination Level	Single Luminaire		Multiple Luminaire		Application Notes *
		3' Path of Egress	6' Path of Egress	3' Path of Egress	6' Path of Egress	
7.5'	1FC Avg	62'	46'	69'	53'	200' Open Space 80/50/20 reflectances
10'		48'	34'	55'	46'	
12'		28'	22'	46'	41'	
14'		6'	N/A	38'	36'	

\* Also meets the additional illumination requirements of NFPA 101: 1FC minimum and max/min ratio of 40:1.

### Maximum Spacing Guidelines - AFF (FCT)

Mounting Height	Illumination Level	Single Luminaire		Application Notes *
		3' Path of Egress	6' Path of Egress	
7.5'	1FC Avg	24'	23'	200' Open Space 80/50/20 reflectances
10'		35'	35'	
12'		37'	31'	
14'		31'	N/A	

\* Also meets the additional illumination requirements of NFPA 101: 1FC minimum and max/min ratio of 40:1.

# AFF Signature® Premium Die-Cast Architectural Emergency Light

## SPECIFICATIONS

### Electrical: Primary Circuit

Unit Type	Battery Type	Input Voltage(V)	Input Current(A)	Watts(W)
PEL WT	LTP	120-347	0.053-0.086	11.28
	LTP CW	120-347	0.089-0.167	20.39
PEL FCT	LTP	120-347	0.053-0.086	11.28
	LTP CW	120-347	0.089-0.167	20.39
OEL WT	LTP	120-347	0.025-0.032	2.50
	LTP CW	120-347	0.075-0.097	11.60
OEL FCT	LTP	120-347	0.025-0.032	2.50
	LTP CW	120-347	0.075-0.097	11.60
OELR WT	N/A	8-30	0.248 - 1.225	8.57*
OELR FCT	N/A	8-30	0.254 - 1.168	8.22*

\*OELR watts data is in addition to the lamp heads on the product

### BATTERY

Lithium Iron Phosphate					
Type	Voltage	Typical Shelf Life <sup>1</sup>	Typical Life <sup>1</sup>	Maintenance <sup>2</sup>	Temperature range <sup>3,4</sup>
STD	12.8V	1 year	6-8 years	none	32 - 122°F (0 - 50°C)
CW	12.8V	1 year	6-8 years	none	-22 - 122°F (-30 - 50°C)

#### Notes

- 1 At 77°F (25°C).
- 2 Battery life is negatively impacted by many variables including temperature, charging rates, number of cycles and deep discharges due to long periods of time without AC power.
- 3 All life safety equipment, including emergency lighting for path of egress must be maintained, serviced, and tested in accordance with all National Fire Protection Association (NFPA) and local codes. Failure to perform the required maintenance, service, or testing could jeopardize the safety of occupants and will void all warranties.
- 4 Temperature range where unit will provide capacity for 90 minutes. Higher and lower temperatures affect life and capacity. See option packages for expanded temperature ranges.



# TFX2 LED Floodlights



TFX2 with Yoke Mount

Catalog Number
Notes
Type

Hit the Tab key or mouse over the page to see all interactive elements.

## Introduction

The TFX2 LED flood luminaire is a cost-effective, energy-efficient, long-life solution for replacing metal halide or HPS floodlights. Delivering 13,200 lumens, the TFX2 can replace up to 250W metal halide while saving 68% in energy costs. Reliable IP66 construction and excellent LED lumen maintenance will ensure a long service life; avoiding the multiple lamp changes of the metal halide luminaires they replace.

The TFX2 is available with yoke mounting options.

## Ordering Information

Color Temp	Lumen Output	Input Power	Efficacy (Lumens per Watt)	Finish	Voltage	Mounting	Catalog Number	CI Code	UPC Code
4000K	13,200	94W	140	Dark Bronze	MVOLT (120V-277V)	Yoke	<u>TFX2 LED 40K MVOLT YK DDBXD</u>	*2552ME	193047670234
5000K						Yoke	TFX2 LED 50K MVOLT YK DDBXD	*2581FK	193048041552

## FEATURES & SPECIFICATIONS

### INTENDED USE

The TFX2 LED floodlight is designed to provide a cost effective, energy-efficient solution for the one-for-one replacement of existing metal halide or high pressure sodium lighting. The TFX2 is ideal for replacing up to 250W HID luminaires in parking lots, signage, yards, and other floodlighting applications. TFX luminaires deliver a uniform, wide flood distribution.

### CONSTRUCTION

The TFX2 LED floodlight features a die-cast aluminum main body with optimal thermal management that both enhances LED efficacy and extends component life. The light engines and housing are IP66 rated, and sealed against moisture or environmental contaminants.

### ELECTRICAL

Light engine(s) configurations consist of high-efficacy LEDs and LED lumen maintenance is L90/100,00 hours. 4000K and 5000K color temperature (CCT) options with minimum CRI of 70. TFX LED luminaires use MVOLT (120-277V) and ensure system power factor >90% and THD <20%. All luminaires have 6kV surge protection.

### INSTALLATION

The integral slip fitter option (IS) mates with standard 2 3/8" tenons for pole-top mounting. The yoke mount (YK) option allows mounting to solid surfaces and has a 30" SO cord. TFX luminaires are suitable for aiming in any orientation. TFX is rated for installation on ground. Can be tilted from 0° horizontal facing downwards, up to 180° horizontal facing upwards.

### LISTINGS

UL Certified to meet U.S. and Canadian standards. Suitable for wet locations. IP66 Rated. DesignLights Consortium® (DLC) Premium qualified product. Please check the DLC Qualified Products List at [www.designlights.org/QPL](http://www.designlights.org/QPL) to confirm.

### WARRANTY

5-year limited warranty. This is the only warranty provided and no other statements in this specification sheet create any warranty of any kind. All other express and implied warranties are disclaimed. Complete warranty terms located at: [www.acuitybrands.com/support/warranty/terms-and-conditions](http://www.acuitybrands.com/support/warranty/terms-and-conditions)

**Note:** Actual performance may differ as a result of end-user environment and application. All values are design or typical values, measured under laboratory conditions at 25 °C. Specifications subject to change without notice.



COMMERCIAL OUTDOOR

One Lithonia Way • Conyers, Georgia 30012 • Phone: 1-800-705-SERV (7378) • [www.acuitybrands.com](http://www.acuitybrands.com)  
© 2019-2022 Acuity Brands Lighting, Inc. All rights reserved.

TFX2 LED  
Rev. 06/27/22  
Page 1 of 2

## Pole/Mounting Information

Accessories including bullhorns, cross arms and other adapters are available under the accessories tab at Lithonia's Outdoor Poles and Arms product page. Click here to visit [Accessories](#).

### TFX2 - Luminaire EPA

\*Includes luminaire and integral mounting arm.  
Other tenons, arms, brackets or other accessories are not included in this EPA data.

TFX2 LED	
Angle of Tilt	EPA (ft2)
0°	0.62
10°	0.64
20°	0.76
30°	0.87
40°	0.96
50°	1.02
60°	1.07
70°	1.08
80°	1.10
90°	1.12

## Photometric Diagrams

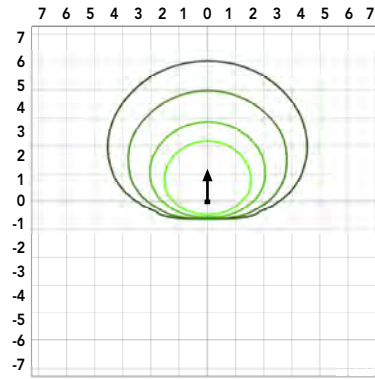
To see complete photometric reports or download .ies files for this product, visit Lithonia Lighting's.

Distances are in units of mounting height (25').

### LEGEND

- 0.1 fc
- 0.2 fc
- 0.5 fc
- 1.0 fc

Luminaires tilted at 45°



## Performance Data

### Lumen Ambient Temperature (LAT) Multipliers

Use these factors to determine relative lumen output for average ambient temperatures from 0-50°C (32-122°F).

Ambient	Ambient	Lumen Multiplier
0°C	32°F	1.05
5°C	41°F	1.04
10°C	50°F	1.03
15°C	59°F	1.02
20°C	68°F	1.01
25°C	77°F	1.00
30°C	86°F	0.99
35°C	95°F	0.98
40°C	104°F	0.97
45°C	113°F	0.96
50°C	122°F	0.95

## Electrical and Lumen Maintenance Data

### Electrical Load (Amperage)

Luminaire	Input Power (W)	120V	208V	240V	277V
TFX2 LED Input Current (Amperes)	94W	0.78	0.45	0.39	0.34

### Projected Lumen Maintenance

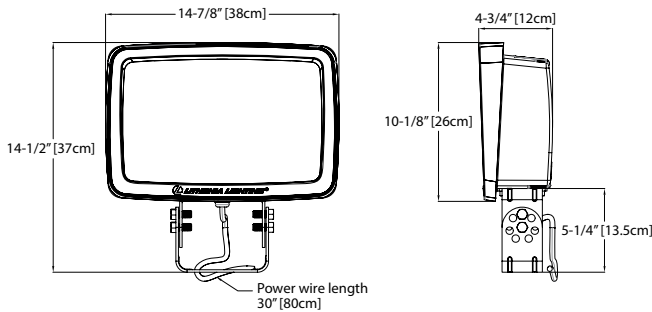
Data references the extrapolated performance projections in a 25°C ambient, based on 6,000 hours of LED testing (tested per IESNA LM-80-08 and projected per IESNA TM-21-11).

To calculate LLF, use the lumen maintenance factor that corresponds to the desired number of operating hours below. For other lumen maintenance values, contact factory.

Operating Hours	50,000	75,000	100,000
Lumen Maintenance Factor	>0.94	>0.91	>0.90

Values calculated according to IESNA TM-21-11 methodology and valid up to 40°C.

## Product Dimensions



TFX2 with Yoke Mount





**LUMEN OUTPUT:**

Lumen values are from photometric tests performed in accordance with IESNA LM-79-08. Data is considered to be representative of configurations shown within the tolerances described within LM-79.

Size	Lumen Output	Input Wattage	CCT/80CRI	Delivered Lumens	Lumens Per Watt @ 4000K, 80CRI
TWR1	2,300	16W	3000K	2,295	145
			4000K	2,292	
			5000K	2,359	
	5,300	36W	3000K	5,277	151
			4000K	5,347	
			5000K	5,390	
	8,500	59W	3000K	8,400	148
			4000K	8,581	
			5000K	8,523	

Size	Lumen Output	Input Wattage	CCT/80CRI	Delivered Lumens	Lumens Per Watt @ 4000K, 80CRI
TWR2	8,200	55W	3000K	8,132	155
			4000K	8,427	
			5000K	8,290	
	12,100	82W	3000K	11,875	152
			4000K	12,449	
			5000K	12,037	
	16,100	112W	3000K	15,794	147
			4000K	16,270	
			5000K	16,262	

Fixture Number			
Project Title	Type	Qty	
Comments			



- White Acrylic Cylinder Diffuser & Bottom Lens (Downlight Version with Cutout & Reflector)
- Top & Bottom Metal Pan, Vertical Bars
- Center Stem to 45° Swivel Canopy (Chain Hung Option Available)

**Dimensions and Lamping:**

<b>P710-20</b>	12" A x 36" B x 20" C .....Weight: 14 lbs.
<b>LN</b>	LED: Nominal 30W, 2900 Delivered Lumens
<b>LD</b>	LED + Downlight: Nominal 55W, 5100 Delivered Lumens
<b>P710-24</b>	14" A x 48" B x 24" C .....Weight: 16 lbs.
<b>LN</b>	LED: Nominal 40W, 3600 Delivered Lumens
<b>LD</b>	LED + Downlight: Nominal 65W, 5800 Delivered Lumens
<b>P710-30</b>	14" A x 48" B x 30" C .....Weight: 24 lbs.
<b>LN</b>	LED: Nominal 55W, 5000 Delivered Lumens
<b>LD</b>	LED + Downlight: Nominal 90W, 7900 Delivered Lumens
<b>P710-36</b>	14" A x 60" B x 36" C .....Weight 28 lbs.
<b>LN</b>	LED: Nominal 70W, 6400 Delivered Lumens
<b>LD</b>	LED + Downlight: Nominal 105W, 9300 Delivered Lumens

**LED Color Temperature:**

30K	3000K	35K	3500K	40K	4000K
-----	-------	-----	-------	-----	-------

**Downlight Optics:**

<b>BN</b>	Narrow Beam (~20°)	<b>BW</b>	Wide Beam (~50°)
<b>BM</b>	Medium Beam (~30°)	<b>BX</b>	Extra Wide Beam (~90°)

**Control:**

<b>CLV</b>	Integral Power Supply, 0-10V Dimming to 1%
<b>CPC</b>	Integral Phase Cut Dimming Power Supply (120V Only)

**Voltage:**

1	120V	2	277V	<b>MV</b>	Multi-Volt
---	------	---	------	-----------	------------

**Diffusers:**

<b>WA</b>	Gloss White Acrylic
<b>WM</b>	Matte White Acrylic

**Standard Finishes:**

<b>PAL</b>	Aluminum	<b>PSB</b>	Satin Black	<b>PRD</b>	Traffic Red (RAL 3020)
<b>PNL</b>	Nickel	<b>PBB</b>	Brushed Brass	<b>POR</b>	Pure Orange (RAL 2004)
<b>PBR</b>	Bronze	<b>PAB</b>	Antique Brass	<b>PYL</b>	Traffic Yellow (RAL 1023)
<b>PLB</b>	Light Bronze	<b>PHB</b>	Hammered Bronze	<b>PGR</b>	Emerald Green (RAL 6001)
<b>PMB</b>	Medium Bronze	<b>PHC</b>	Hammered Copper	<b>PBL</b>	Signal Blue (RAL 5005)
<b>PDB</b>	Dark Bronze	<b>PHS</b>	Hammered Silver	<b>STBD</b>	To Be Determined
<b>PRB</b>	Oil Rubbed Bronze	<b>PSG</b>	Satin Gold		
<b>PMW</b>	Matte White	<b>PPA</b>	Patina		

**Premium Finishes:**

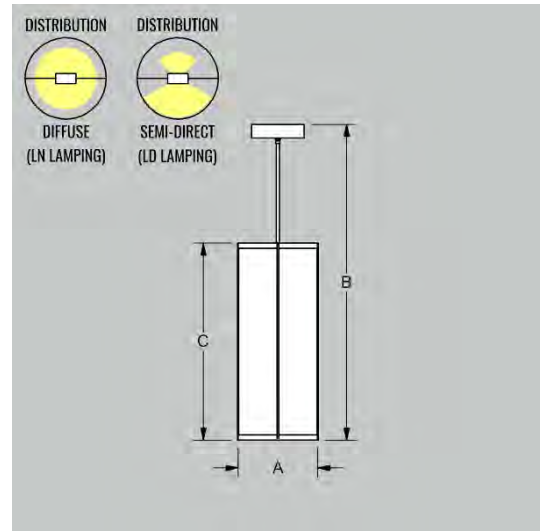
<b>BA</b>	Brushed Aluminum	<b>PB</b>	Polished Brass	<b>ARCHITECT &amp; OWNER TO SELECT FROM AVAILABLE FINISHES UPON REVIEW OF PHYSICAL SAMPLES</b>
<b>SN</b>	Satin Nickel	<b>AB</b>	Antique Brass	
<b>PC</b>	Polished Chrome	<b>PTBD</b>	To Be Determined	
<b>BB</b>	Brushed Brass			

**Hanging Options:**

<b>ST</b>	Stem	<b>NOTE: PROVIDE 6'+/- STEM (VIF)</b>	<b>CH</b>	Chain Hung with Power Cord
-----------	------	---------------------------------------	-----------	----------------------------

**Other Options:**

<b>OAH</b>	Overall Height (Specify in Comments)
<b>2C</b>	2-Circuit Wiring
<b>REM</b>	Remote Emergency Power Supply (20" & 24" Sizes, Stem Only)
<b>IEM</b>	Integral Emergency Power Supply (30" & 36" Sizes, Stem Only)



**Notes:**

- Custom sizes and finishes available upon request.
- Camman reserves the right to make design changes without prior notice.
- Mounting is to a 4 inch octagonal junction box.
- Photometric information is available at [cammanlighting.com](http://cammanlighting.com).





Catalog Number
Notes
Type

# Contractor Select™ ESXF LED

## Floodlights Adjustable+Switchable+Photocell

The Lithonia Lighting® ESXF LED floodlight is a general-purpose flood that offers a wide selection of options and flexibility. Easy access to adjustable lumen output, color switching, and a selectable photocell turns the ESXF into the fixture you need on the spot. With its wide flood (7x7) distribution and DLC performance, the ESXF is a cost-effective solution, great for illuminating yards, driveways, signage, patios, warehouses, and security applications.

### FEATURES:

- Five sizes deliver 1,500 up to 50,000 lumens
- Three power levels of adjustable lumen output. Switchable CCT(30K/40K/50K) offers warm, cool and daylight in a single fixture
- Standard photocell can be turned on or off
- IP66 rated, Die-cast aluminum housing
- Two popular mounting options included
- up to 173 LPW



ESXF1 P0 knuckle mount



ESXF1 knuckle mount



ESXF2 knuckle mount



ESXF3 slipfitter mount



ESXF4 slipfitter mount



ESXF5 slipfitter mount



Catalog Number	Adjustable Lumen Output ALO			Switchable CCT SWW2	Dusk-to-Dawn Operation PE	Input Voltage	Included Mounting Options	CRI
ESXF1 P0 SWW2 THK DDB	2500L			Switchable 3000K, 4000K, 5000K	Included Standard, Selectable On/Off	120-277V	Knuckle Only, mounting plate	80CRI
ESXF1 ALO SWW2 KY DDB	1500L	3000L	5000L			120-277V	Knuckle & Yoke, mounting plate	
ESXF2 ALO SWW2 KY DDB	3500L	5500L	7500L			120-277V	Knuckle & Yoke, mounting plate	
ESXF3 ALO SWW2 YS DDB	8500L	10500L	14000L			120-277V	Yoke & SlipFitter	
ESXF3 ALO SWW2 UVOLT YS DDB						120-347V	Yoke & SlipFitter	
ESXF4 ALO SWW2 YS DDB	16000L	18000L	20000L			120-277V	Yoke & SlipFitter	
ESXF4 ALO SWW2 UVOLT YS DDB						120-347V	Yoke & SlipFitter	
ESXF5 ALO SWW2 UVOLT YS DDB	30000L	40000L	50000L			120-347V	Yoke & SlipFitter	
ESXF5 ALO SWW2 XVOLT YS DDB	30000L	40000L	50000L	277-480V	Yoke & SlipFitter			

More configurations are available. [Click here](#) or visit [www.acuitybrands.com](http://www.acuitybrands.com) and search for ESXF LED.

### ESXF Stock Configurations

Catalog Number	UPC	Ci Code	Number of fixtures per pallet	Traditional Replacement
ESXF1 P0 SWW2 THK DDB	00196182393051	*276AL6	400	150W Quartz or 75W HID
ESXF1 ALO SWW2 KY DDB	00196182393204	*276ALH	400	500W Quartz or 150W HID
ESXF2 ALO SWW2 KY DDB	00196182393242	*276ALU	360	500W Quartz or 175W HID
ESXF3 ALO SWW2 YS DDB	00196182393266	*276ALW	144	250W HID
ESXF3 ALO SWW2 UVOLT YS DDB	00196182393273	*276AM0	144	250W HID
ESXF4 ALO SWW2 YS DDB	00196182393280	*276AM2	144	400W HID
ESXF4 ALO SWW2 UVOLT YS DDB	00196182393297	*276AM4	144	400W HID
ESXF5 ALO SWW2 UVOLT YS DDB	00197589243710	*283G2F	32	1000W HID
ESXF5 ALO SWW2 XVOLT YS DDB	00197589243734	*283G2G	32	1000W HID

**Accessories: Order as separate catalog number.**

ESXF P0 and ESXF1 yoke mount accessory  
\*276ARA ESXF1YK DDB

ESXF5 upper/bottom visor accessory  
\*283G2K ESXF5UBV DDB

[Click here to visit Additional mounting brackets.](#)



Included mounting options by size



Electrical Performance Tables

	Lumen Output	Input Wattage	CCT/80CRI	Delivered Lumens	Lumens Per Watt @ 4000K, 80CRI
ESXF1 P0	2,500L	17W	3000K	2,372	151
			4000K	2,522	
			5000K	2,503	
ESXF1	1,500L	9W	3000K	1,467	171
			4000K	1,560	
			5000K	1,549	
	3,000L	19W	3000K	2,915	162
			4000K	3,099	
			5000K	3,076	
5,000L	34W	3000K	4,748	147	
		4000K	5,047		
		5000K	5,010		

	Lumen Output	Input Wattage	CCT/80CRI	Delivered Lumens	Lumens Per Watt @ 4000K, 80CRI
	8,500L	53W	3000K	8,139	163
			4000K	8,653	
			5000K	8,589	
ESXF3	10,500L	69W	3000K	10,156	156
			4000K	10,797	
			5000K	10,718	
	14,000L	100W	3000K	13,609	145
			4000K	14,469	
			5000K	14,362	

	Lumen Output	Input Wattage	CCT/80CRI	Delivered Lumens	Lumens Per Watt @ 4000K, 80CRI
ESXF2	3,500L	22W	3000K	3,377	163
			4000K	3,591	
			5000K	3,564	
	5,500L	37W	3000K	5,315	151
			4000K	5,651	
			5000K	5,609	
7,500L	56W	3000K	7,223	137	
		4000K	7,680		
		5000K	7,623		

	Lumen Output	Input Wattage	CCT/80CRI	Delivered Lumens	Lumens Per Watt @ 4000K, 80CRI
ESXF4	16,000L	111W	3000K	15,508	148
			4000K	16,487	
			5000K	16,366	
	18,000L	124W	3000K	17,274	148
			4000K	18,365	
			5000K	18,230	
20,000L	150W	3000K	19,583	139	
		4000K	20,819		
		5000K	20,666		

	Lumen Output	Input Wattage	CCT/80CRI	Delivered Lumens	Lumens Per Watt @ 4000K, 80CRI
ESXF5 UVOLT	30,000L	184	3000K	28,596	173
		177	4000K	30,577	
		184	5000K	30,447	
	40,000L	259	3000K	38,079	168
		247	4000K	41,402	
		259	5000K	40,513	
	50,000L	341	3000K	46,678	161
		322	4000K	51,691	
		342	5000K	49,741	

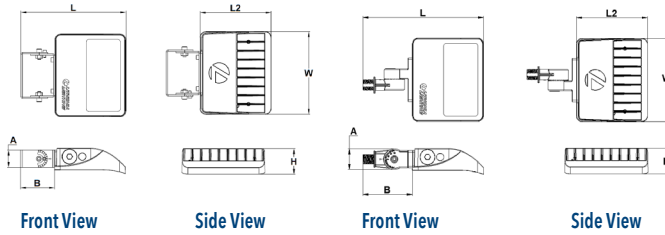
	Lumen Output	Input Wattage	CCT/80CRI	Delivered Lumens	Lumens Per Watt @ 4000K, 80CRI
ESXF5 XVOLT	30,000L	193	3000K	29,949	173
		185	4000K	32,085	
		192	5000K	31,852	
	40,000L	264	3000K	38,777	168
		250	4000K	42,160	
		262	5000K	41,321	
	50,000L	336	3000K	46,644	163
		316	4000K	51,513	
		334	5000K	49,654	



## Dimensions

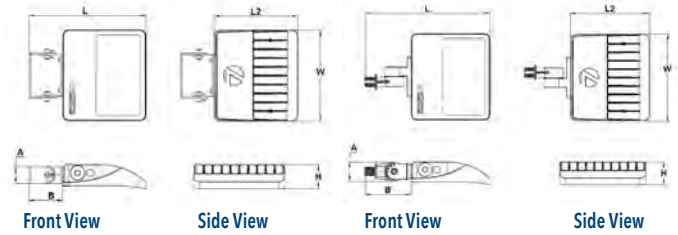
All dimensions are inches (centimeters) unless otherwise indicated.

### ESXF1



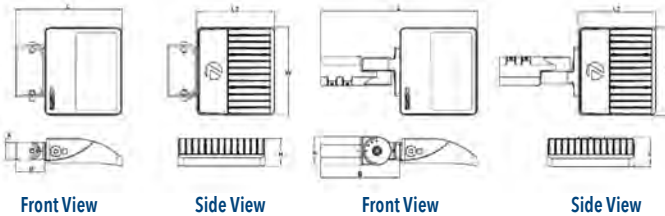
Luminaire	Length (L)	Width (W)	Height (H)	Yoke/Knuckle		L2	Weight
				A (Height)	B (Length)		
Dimensions in inches (centimeters)							
ESXF1 SWW2 ALO KY (Yoke)	7.65" (27.8cm)	6.04" (15.4cm)	1.86" (4.7cm)	1.26" (3.2cm)	2.48" (6.3cm)	5.17" (13.2cm)	2.31 lbs (1.048 kg)
ESXF1 SWW2 PO/ALO KY (Knuckle)	8.77" (22.3cm)	6.04" (15.4cm)	1.86" (4.7cm)	1.5" (3.8cm)	3.59" (9.1cm)	5.17" (13.2cm)	2.17 lbs (0.986 kg)

### ESXF2



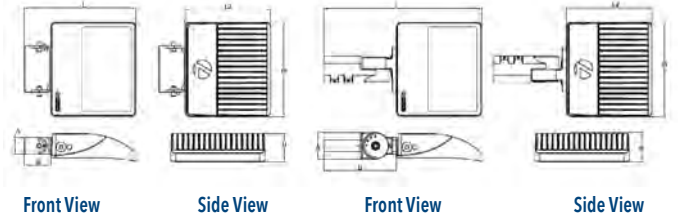
Luminaire	Length (L)	Width (W)	Height (H)	Yoke/Knuckle		L2	Weight
				A (Height)	B (Length)		
Dimensions in inches (centimeters)							
ESXF2 SWW2 ALO KY (Yoke)	8.64" (21.9cm)	6.75" (17.1cm)	1.8" (4.6cm)	1.26" (3.2cm)	2.48" (6.3cm)	6.16" (15.6cm)	2.92 lbs (1.324 kg)
ESXF2 SWW2 ALO KY (Knuckle)	9.75" (24.8cm)	6.75" (17.1cm)	1.8" (4.6cm)	1.5" (3.8cm)	3.59" (9.1cm)	6.16" (15.6cm)	2.79 lbs (1.264 kg)

### ESXF3



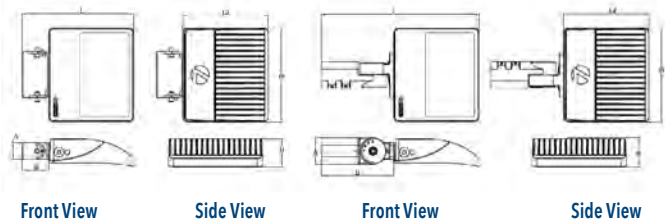
Luminaire	Length (L)	Width (W)	Height (H)	Yoke/Knuckle		L2	Weight
				A (Height)	B (Length)		
Dimensions in inches (centimeters)							
ESXF3 SWW2 ALO YS (Yoke)	10.54" (26.8cm)	8.95" (22.7cm)	2.84" (7.2cm)	1.77" (4.5cm)	2.99" (7.6cm)	7.97" (20.2cm)	6.21 lbs (2.818 kg)
ESXF3 SWW2 ALO YS (Slipfitter)	16.07" (40.8cm)	8.95" (22.7cm)	3.04" (7.7cm)	2.95" (7.5cm)	8.11" (20.6cm)	7.97" (20.2cm)	6.48 lbs (2.938 kg)

### ESXF4



Luminaire	Length (L)	Width (W)	Height (H)	Yoke/Knuckle		L2	Weight
				A (Height)	B (Length)		
Dimensions in inches (centimeters)							
ESXF4 SWW2 ALO YS (Yoke)	12.54" (31.8cm)	10.54" (26.8cm)	3.12" (7.9cm)	1.77" (4.5cm)	2.99" (7.6cm)	9.55" (24.3cm)	8.17 lbs (3.706 kg)
ESXF4 SWW2 ALO YS (Slipfitter)	17.66" (44.8cm)	10.54" (26.8cm)	3.22" (8.2cm)	2.95" (7.5cm)	8.11" (20.6cm)	9.55" (24.3cm)	8.43 lbs (3.824 kg)

### ESXF5

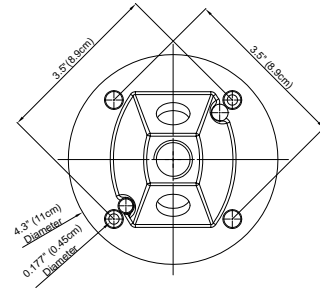


Luminaire	Length (L)	Width (W)	Height (H)	Yoke/Knuckle		L2	Weight
				A (Height)	B (Length)		
Dimensions in inches (centimeters)							
ESXF5 SWW2 ALO YS (Yoke)	18.6"	16"	3.5"	3"	1.77"	15.6" (39.5cm)	19 lbs (8.62 kg)
ESXF5 SWW2 ALO YS (Slipfitter)	24.5"	16"	3.5"	8.11"	5"	15.6" (39.5cm)	20 lbs (9.07 kg)



**EPA Data**

	Angle of Tilt	0°	10°	20°	30°	40°	50°	60°	70°	80°	90°
ESXF1	Project Area(ft <sup>2</sup> )	0.078	0.114	0.15	0.183	0.21	0.231	0.246	0.25	0.25	0.25
	EPA(ft <sup>2</sup> )	0.0936	0.1368	0.18	0.2196	0.252	0.2772	0.2952	0.3	0.3	0.3
ESXF2	Project Area(ft <sup>2</sup> )	0.09	0.133	0.182	0.226	0.263	0.293	0.314	0.325	0.326	0.32
	EPA(ft <sup>2</sup> )	0.108	0.1596	0.2184	0.2712	0.3156	0.3516	0.3768	0.39	0.3912	0.384
ESXF3	Project Area(ft <sup>2</sup> )	0.23	0.285	0.383	0.471	0.548	0.608	0.65	0.673	0.674	0.66
	EPA(ft <sup>2</sup> )	0.276	0.342	0.4596	0.5652	0.6576	0.7296	0.78	0.8076	0.8088	0.792
ESXF4	Project Area(ft <sup>2</sup> )	0.23	0.365	0.494	0.609	0.707	0.785	0.84	0.869	0.87	0.81
	EPA(ft <sup>2</sup> )	0.276	0.438	0.5928	0.7308	0.8484	0.942	1.008	1.0428	1.044	0.972
ESXF5	Project Area(ft <sup>2</sup> )	0.4	0.5	0.79	1.09	1.36	1.61	1.8	1.94	2.01	2.01
	EPA(ft <sup>2</sup> )	0.48	0.6	0.948	1.308	1.632	1.932	2.16	2.328	2.412	2.412



\*Includes luminaire and integral mounting arm. Other tenons, arms, brackets or other accessories are not included in this EPA data.



## Specifications

### INTENDED USE:

The ESXF LED floodlight is designed to provide a cost effective, energy-efficient solution for the one-for-one replacement of existing traditional sources ranging from 150W quartz up to 1000W metal halide. ESXF is well suited for general illumination of parking lots, signage, yards, walkways, landscaping, and other floodlighting applications. ESXF luminaires deliver a uniform, wide flood 7x7 light distribution.

### CONSTRUCTION:

The ESXF LED floodlight features sealed die-cast aluminum body and is IP66 listed to withstand moisture and the elements for years to come.

### ELECTRICAL:

ESXF features adjustable lumen output include, low, medium, and high. (ESXF P0 static only). Switchable CCT includes between 3000K(warm), 4000K(neutral) or 5000K(daylight) and a selectable dusk to dawn photocell that automatically turns the fixture on in the evening and off the next morning.

Standard 6kVsurge protection tested in accordance to ANSI/IEEE C62.41.2)Category C. ESXF LED luminaires use MVOLT (120-277V) as well as UVOLT (120-347V) or XVOLT (277-480V) on select models. Adjustable lumen output is achieved with 0-10V continuous dimming capable drivers, ensuring system power factor >90% and THD <20%. L90 ≥ 36,000 hours at 25C ambient. 25C ambient is the max operating temperature.

### INSTALLATION:

ESXF1 and ESXF2 ship with ½ NPS threaded knuckle mount factory installed and can be mounted to conduit bodies or to 4" electrical boxes using the provided round mounting plate. Yoke mounts can be easily changed in the field to mount to any solid surfaces (ESXF1 P0 yoke purchased separately).

ESXF3, ESXF4, and ESXF5 include a yoke mounting for solid surface mounting and an integral slipfitter that mates with standard 2 3/8" tenons for pole-top mounting. All models ship standard with 18" SO cord.

### LISTINGS:

CSA certified to U.S. and Canadian standards. Luminaire is IP66 rated. Rated for -40°C minimum ambient.

### WARRANTY:

5-year limited warranty. This is the only warranty provided and no other statements in this specification sheet create any warranty of any kind. All other express and implied warranties are disclaimed. Complete warranty terms located at: [www.acuitybrands.com/support/warranty/terms-and-conditions](http://www.acuitybrands.com/support/warranty/terms-and-conditions)

**Note:** Actual performance may differ as a result of end-user environment and application. All values are design or typical values, measured under laboratory conditions at 25 °C. Specifications subject to change without notice.



Factory settings  
Lumen Output: High  
CCT: 4000K  
Photocell: On