

1 CONCRETE PAVING

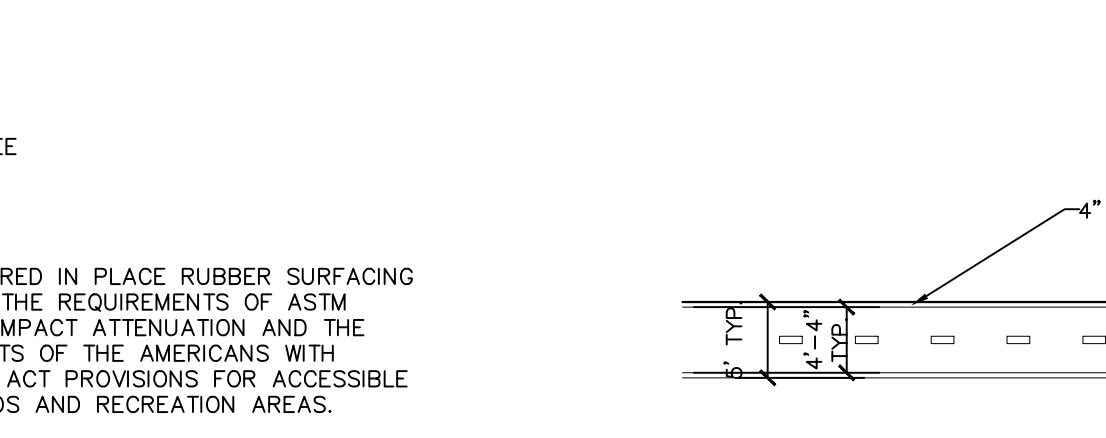
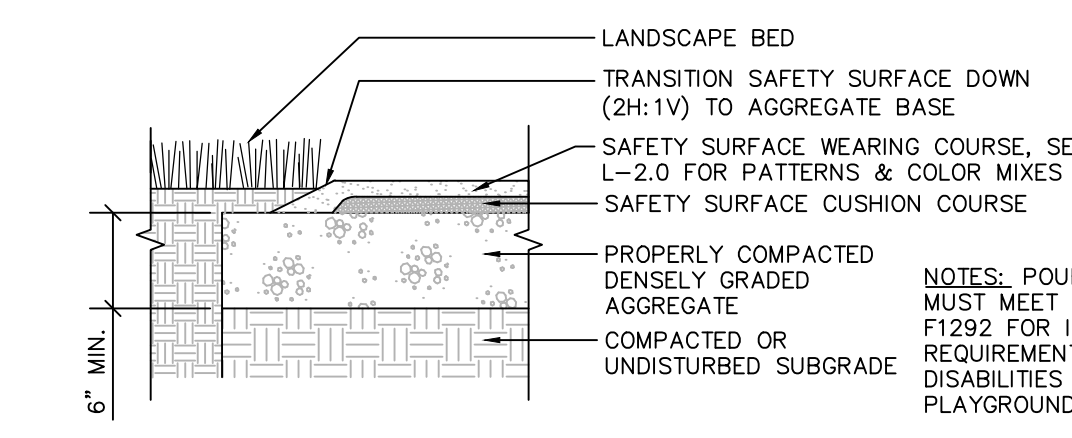
1" = 1'-0"

2 ASPHALT PAVING

1" = 1'-0"

3 PAVING TO SAFETY SURFACE

1" = 1'-0"

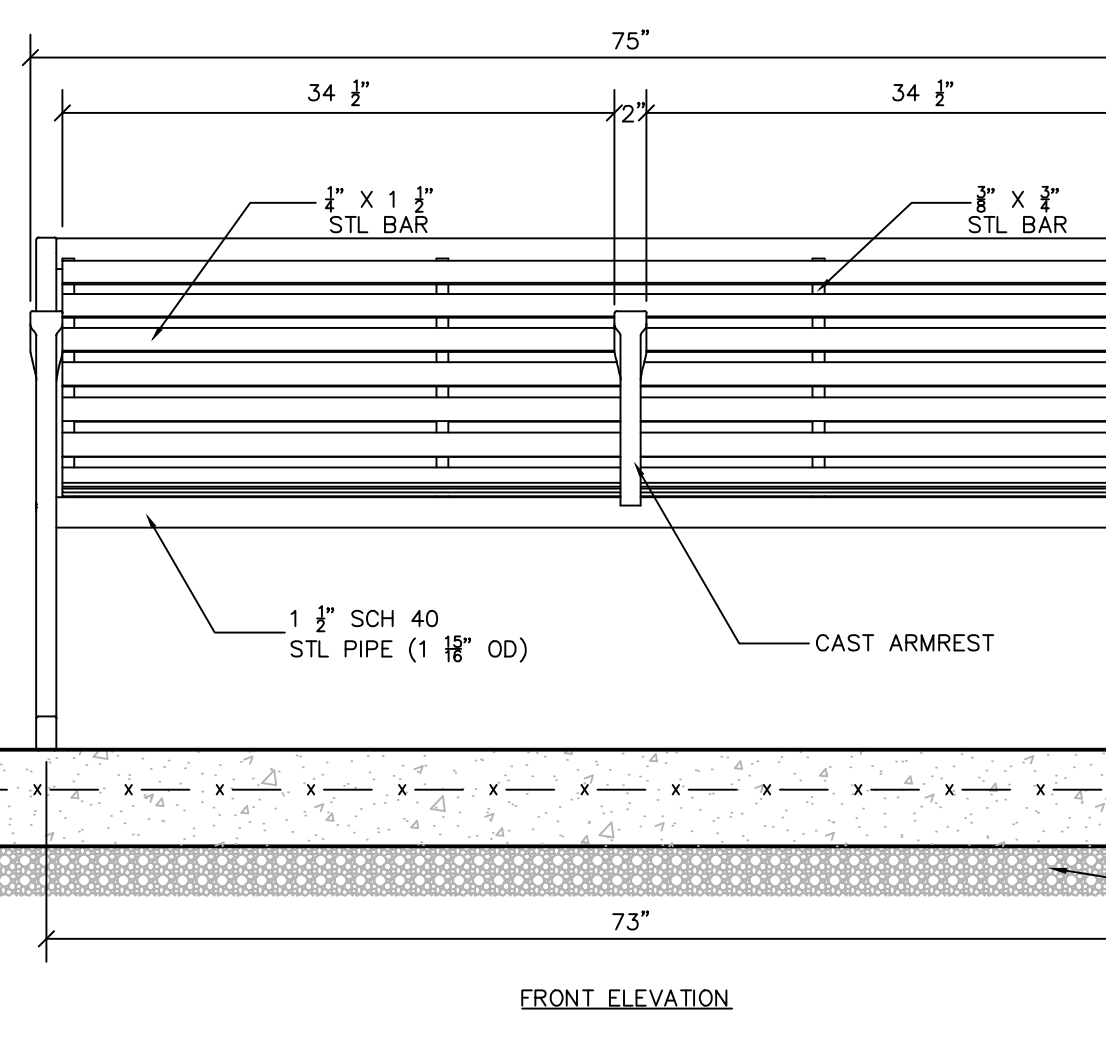
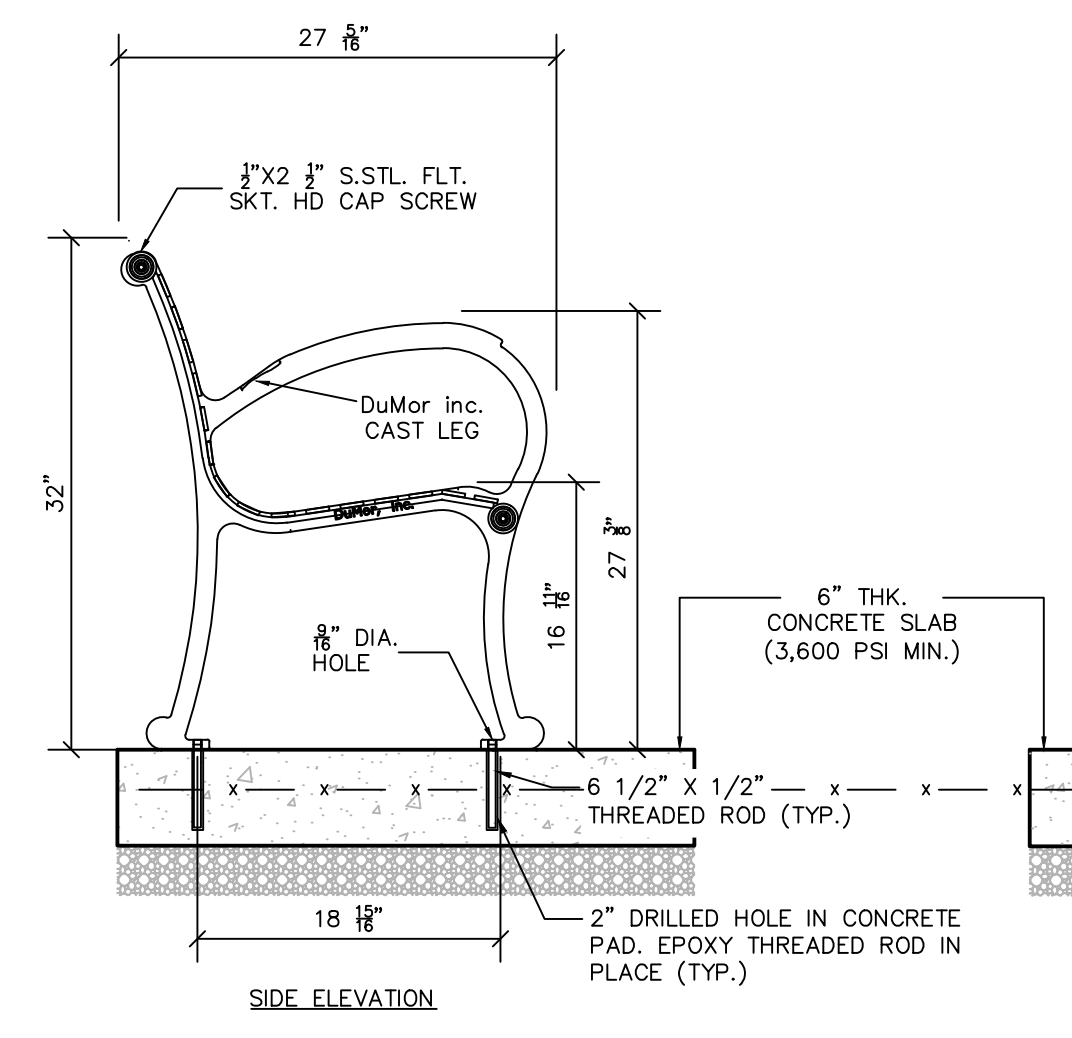


4 LANDSCAPED EDGE TO SAFETY SURFACE

1" = 1'-0"

5 4\"/>

1" = 1'-0"



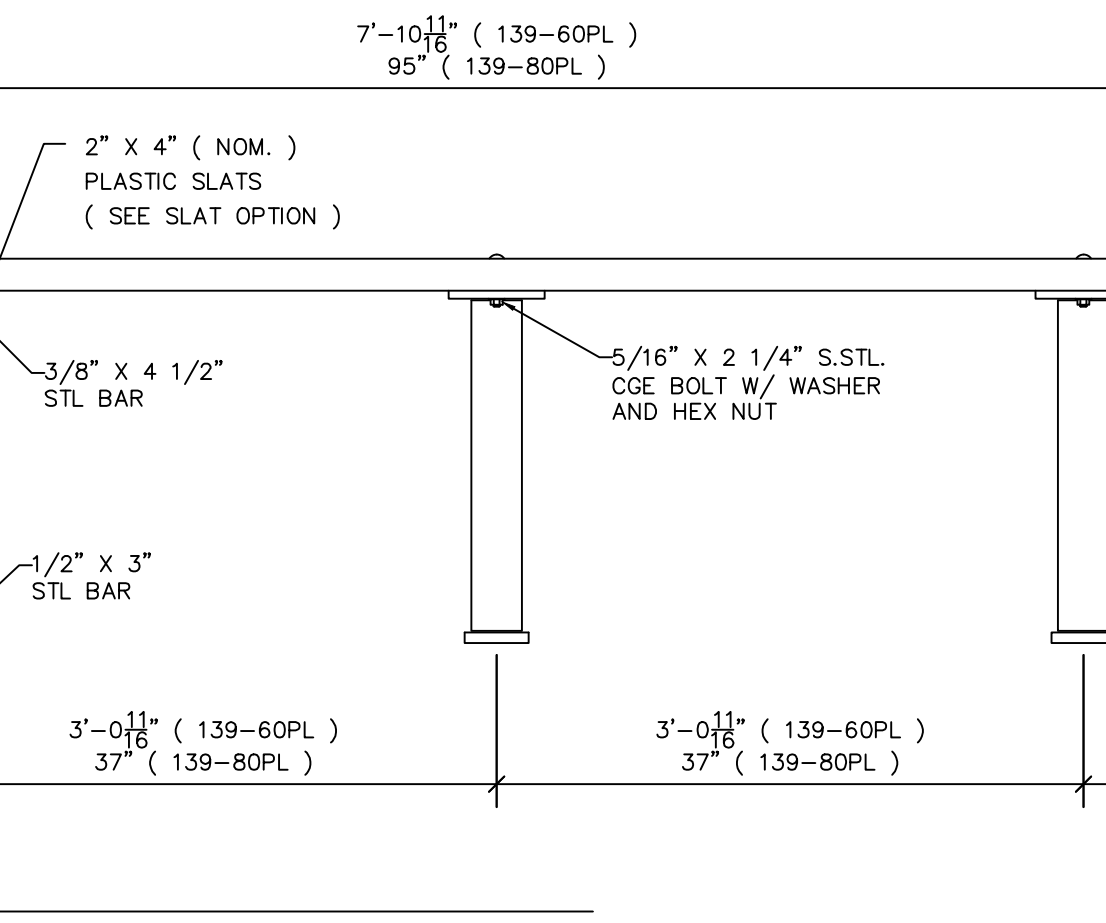
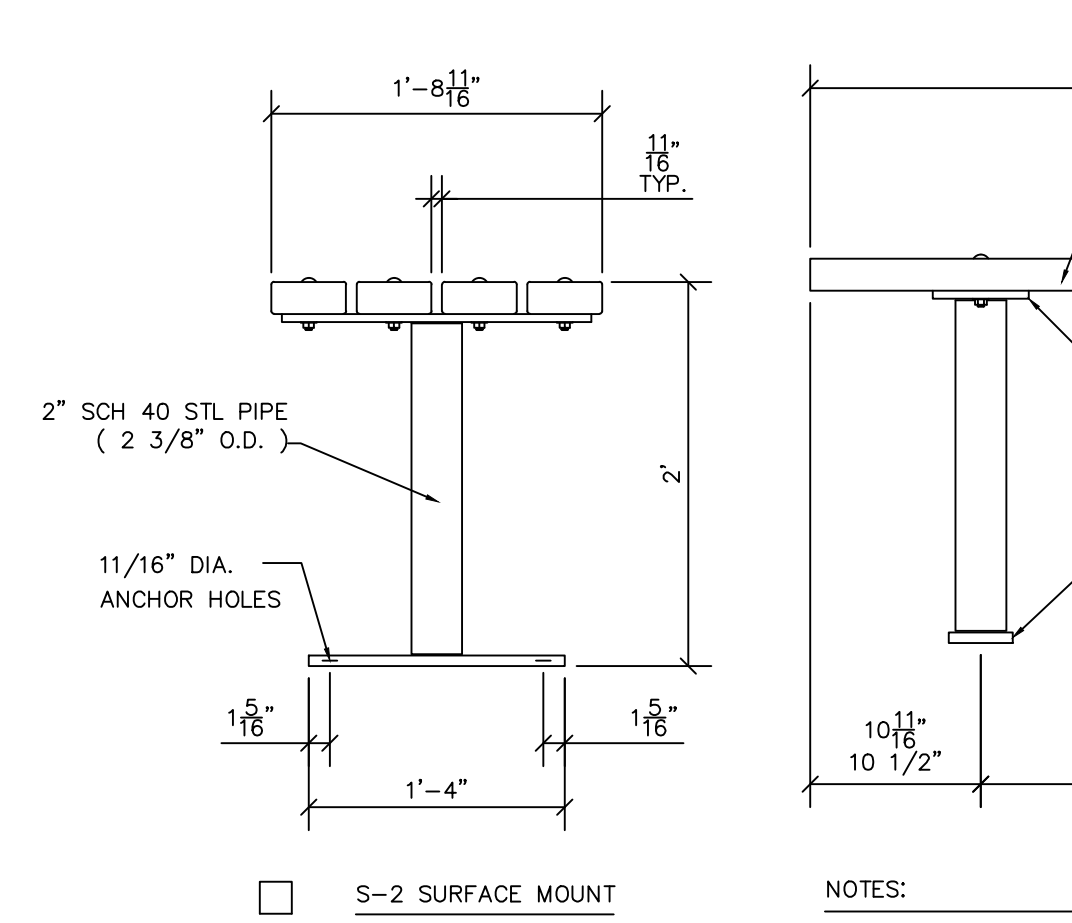
- NOTES:**
1. BENCH SHALL BE 69-830-3ART STEEL BENCH AS MANUFACTURED BY DUMOR, INC., OR APPROVED EQUIVALENT, BLACK FINISH.
 2. INSTALLATION TO BE COMPLETED IN ACCORDANCE WITH MANUFACTURER'S SPECIFICATIONS.
 3. DO NOT SCALE DRAWINGS.
 4. ALL STEEL MEMBERS COATED W/ ZINC RICH COATING THEN POLYESTER POWDER COATED.
 5. BENCH IS SHIPPED UNASSEMBLED.
 6. 1/2" X 3 3/4" EXPANSION ANCHOR BOLTS PROVIDED FOR SURFACE MOUNT OPTION INTO CONCRETE PAVING UNDER BENCH.
 7. BENCH AND CONCRETE PAVING/BASE SHALL BE PROVIDED AND INSTALLED BY THE GENERAL CONTRACTOR.
 8. ALL BENCHES TO INCLUDE FAIRMOUNT PARK DESIGNED CENTRAL ARMREST.

6 BENCH

1" = 1'-0"

7 BACKLESS BENCH

1" = 1'-0"



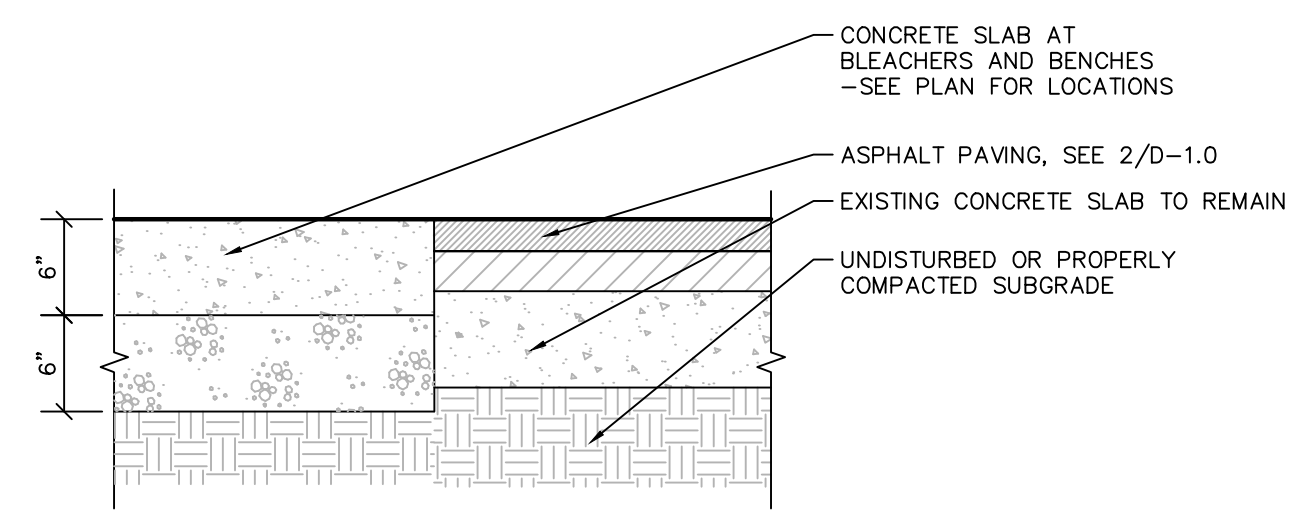
- NOTES:**
1. BENCH SHALL BE SERIES 139-80, BACKLESS, RECYCLED PLASTIC BENCH AS MANUFACTURED BY DUMOR, INC., OR APPROVED EQUIVALENT, STEEL MEMBERS BLACK FINISH, PLASTIC SLATS GREY FINISH.
 2. INSTALLATION TO BE COMPLETED IN ACCORDANCE WITH MANUFACTURER'S SPECIFICATIONS.
 3. DO NOT SCALE DRAWINGS.
 4. ALL STEEL MEMBERS COATED W/ ZINC RICH COATING THEN POLYESTER POWDER COATED.
 5. BENCH IS SHIPPED UNASSEMBLED.
 6. 1/2" X 3 3/4" EXPANSION ANCHOR BOLTS PROVIDED FOR S-2 MOUNT OPTION INTO CONCRETE PAVING UNDER BENCH.
 7. BENCH AND CONCRETE PAVING/BASE SHALL BE PROVIDED AND INSTALLED BY THE GENERAL CONTRACTOR.

8 BASKETBALL COURT BACKLESS BENCH

1" = 1'-0"

9 CONCRETE SLAB EDGE TO ASPHALT UNDER BASKETBALL COURT BACKLESS BENCHES AND BLEACHERS

1" = 1'-0"



- NOTES:**
1. BENCH SHALL BE 69-830-3AR STEEL BENCH AS MANUFACTURED BY DUMOR, INC., OR APPROVED EQUIVALENT, BLACK FINISH.
 2. INSTALLATION TO BE COMPLETED IN ACCORDANCE WITH MANUFACTURER'S SPECIFICATIONS.
 3. DO NOT SCALE DRAWINGS.
 4. ALL STEEL MEMBERS COATED W/ ZINC RICH COATING THEN POLYESTER POWDER COATED.
 5. BENCH IS SHIPPED UNASSEMBLED.
 6. 1/2" X 3 3/4" EXPANSION ANCHOR BOLTS PROVIDED FOR SURFACE MOUNT OPTION INTO CONCRETE PAVING UNDER BENCH.
 7. BENCH AND CONCRETE PAVING/BASE SHALL BE PROVIDED AND INSTALLED BY THE GENERAL CONTRACTOR.
 8. ALL BENCHES TO INCLUDE FAIRMOUNT PARK DESIGNED CENTRAL ARMREST.

REVISIONS		
ISSUE	DATE	REVISIONS
1	03.06.2020	ADDENDUM 1

PENNSYLVANIA ONE CALL SYSTEM, INC.
225 South Run Road
West Allentown, Pennsylvania
18122 - 1078

BEFORE YOU DIG ANYWHERE IN PENNSYLVANIA CALL 1-800-242-1776. NON-MEMBERS MUST BE CONTACTED DIRECTLY. PA LAW REQUIRES THREE WORKING DAYS NOTICE TO UTILITIES BEFORE YOU EXCAVATE, DRILL, BLAST OR BURN/SHOOT.

PA ONE-CALL NUMBER (FOR DESIGN ONLY):

PPR PROJECT COORDINATOR: NICHOLAS UPMEYER

LAND ARCH. SEAL:

SIGNATURE: JAYNE O. SPECTOR, PROFESSIONAL LANDSCAPE ARCHITECT PA Lic. No. LA001000R

CIVIL ENG. SEAL:

FRMARY CONSULTANT: **LANGAN**
Langan Engineering and Environmental Services, Inc.
1818 Market Street, Suite 3300
Philadelphia, PA 19103
T: 215.845.8900 F: 215.845.8901 www.langan.com

SUB-CONSULTANT: **Chestnut Engineering**
2 E Lancaster Ave - 2nd Fl.
Ardmore, PA 19003
Phone: (610) 642-1750
www.chestnut-engineering.com

CONSULTANT PROJECT NUMBER

SUB-CONSULTANT: **Rodriguez Consulting**
1301 N 2nd Street
Philadelphia, PA 19122
Phone: (215) 839-8087
www.RodriguezConsulting.biz

CONSULTANT PROJECT NUMBER

CITY OF PHILADELPHIA
PHILADELPHIA PARKS AND RECREATION

1515 ARCH STREET
11TH FLOOR, ONE PARKWAY BUILDING

PPR PROJECT NUMBER: 10-19-4395-01

PROJECT TITLE: **IMPROVEMENTS TO MILES MACK PLAYGROUND**
736 N 36TH ST, PHILADELPHIA, PA

DRAWING TITLE: **SITE FURNISHING AND HARDSCAPE DETAILS I**

PPR PROJECT NO.: 10-19-4395-01 DRAWING NO.: 220104104

CONSULTANT PROJECT NO.: 220104104

DATE: 01/21/2020

SCALE: AS SHOWN

DRAWN BY: YW

CHECKED BY: TG/JS

NOTE: ALL DIMENSIONS AND CONDITIONS SHALL BE VERIFIED BY THE CONTRACTOR AT THE SITE BEFORE PROCEEDING WITH THE WORK.

D-1.0

Langan.com\data\PHL\1220104104\Project Data\CAD\94\SheetFiles\100_CD220104104-D-1.dwg Layout: D-1.0 Plotted By: jgarett, on Wed Feb 19, 2020 at 2:33pm