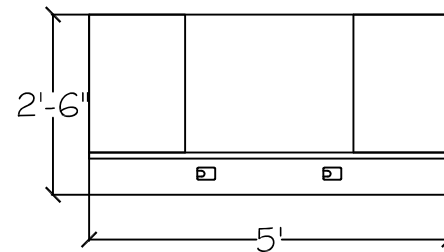
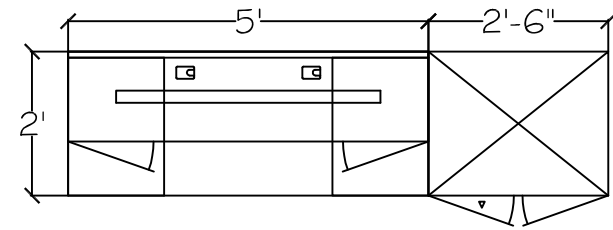
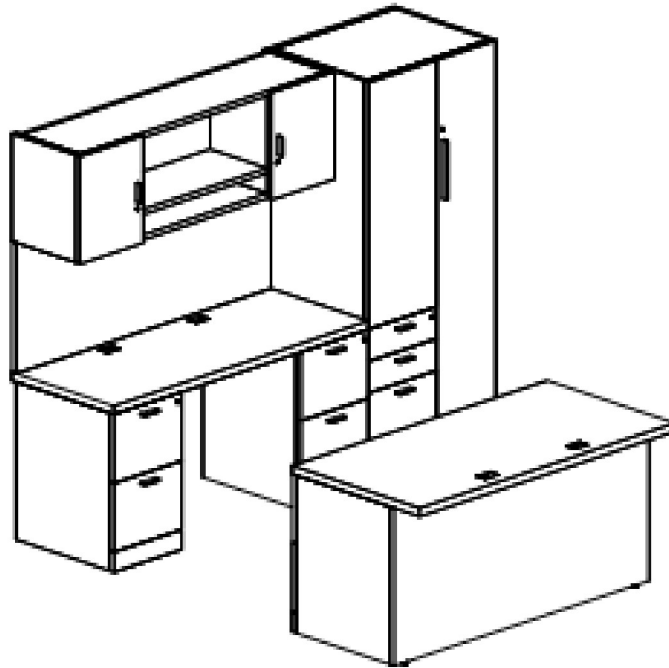


PHILADELPHIA PUBLIC SERVICES BUILDING
400 NORTH BROAD STREET
FURNITURE TYPICALS FOR THE CITY OF PHILADELPHIA

FURNITURE WORKSTATION & OFFICE TYPICAL LAYOUTS



Agency Head
 Deputy Commissioner
 Deputy Agency Head
 Captain
 Deputy City Solicitor
 Inspector
 Director

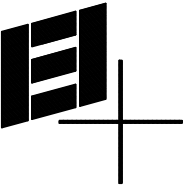


OFF1- Desk

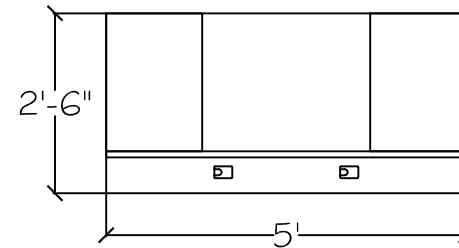
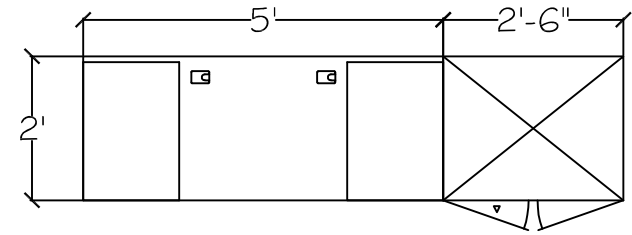
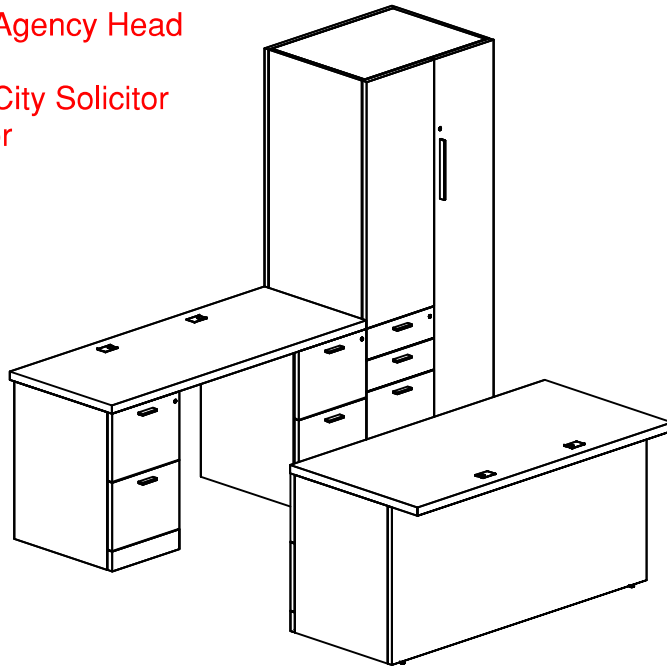
LED task lights (under all overheads)

Worksurfaces: Veneer (1) 60w x 24d, (1) 60w x 30d, (Prices in Laminate and Veneer)

- Storage:
- (1) Veneer Overhead wall mounted, w/ hinged doors, 60w
 - (1) Tackable panel, 60w x 23h Grade 10 fabric
 - (1) Veneer Box/Box/File support pedestal with pencil tray, 16w x 23d x 28h
 - (3) Veneer File/File support pedestal, 16w x 23d x 28h
 - (1) Veneer Wardrobe personal storage tower cabinet with shelves and Box/Box/File, 30w x 24d x 72h
 - (4) Factory drilled grommets - two per worksurface

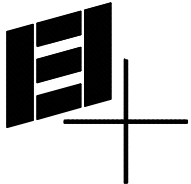
	<p>PROJECT -PPSB KNOLL REFF</p>	<p>PROJECT: PROJECT SCALE: 3/8" = 1'-0" DATE: 02.18.19</p>	OFF1
	<p>IEI Group 428 N. 2nd Street Philadelphia, PA 19123 Tel: 215.413.3700</p>	<p>DRAWN BY: KES/RSC</p>	

Agency Head
 Deputy Commissioner
 Deputy Agency Head
 Captain
 Deputy City Solicitor
 Inspector
 Director

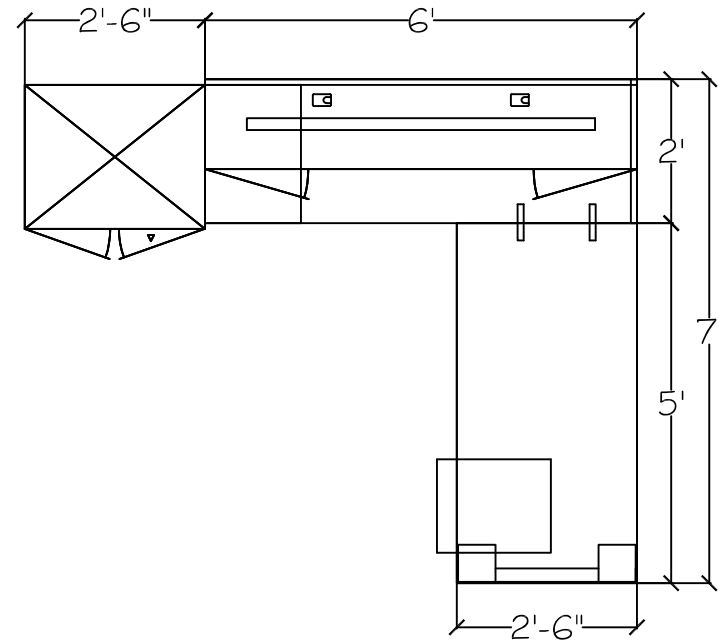
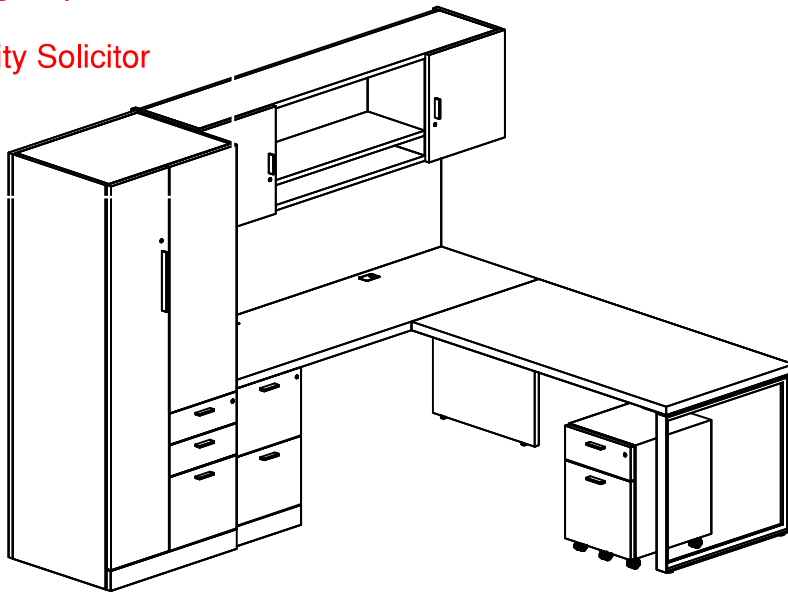


OFF1A- Desk

- LED task lights (under all overhangs)
- Worksurfaces: Veneer (1) 60w x 24d, (1) 60w x 30d, (Prices in Laminate and Veneer)
- Storage: (1) Veneer Box/Box/File support pedestal with pencil tray, 16w x 23d x 28h
- (3) Veneer File/File support pedestal, 16w x 23d x 28h
- (1) Veneer Wardrobe personal storage tower cabinet with shelves and Box/Box/File, 30w x 24d x 72h
- (1) Factory drilled grommets - two per worksurface

	<p>PROJECT -PPSB</p> <p>KNOLL REFF</p> <p>IEI Group</p> <p>428 N. 2nd Street Philadelphia, PA 19123 Tel: 215.413.3700</p>	<p>PROJECT: PROJECT</p> <p>SCALE: 3/8" = 1'-0"</p> <p>DATE: 02.18.19</p> <p>DRAWN BY: KES/RSC</p>	<p>OFF1A</p>
	<p>*</p>		

Agency Head
 Deputy Commissioner
 Deputy Agency Head
 Captain
 Deputy City Solicitor
 Inspector
 Director

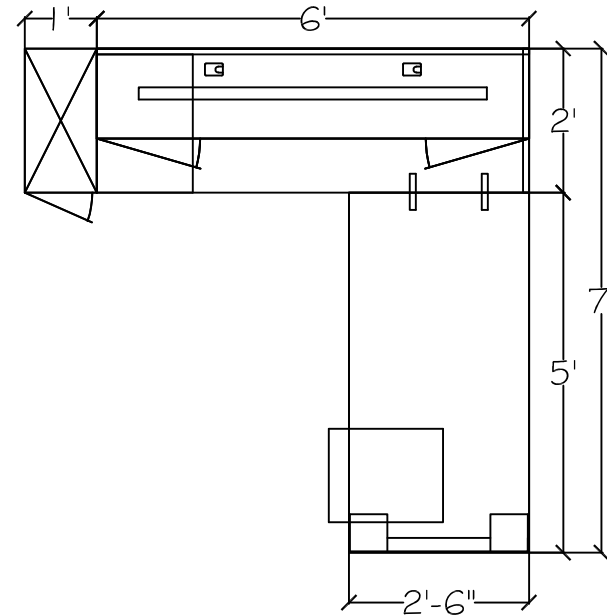
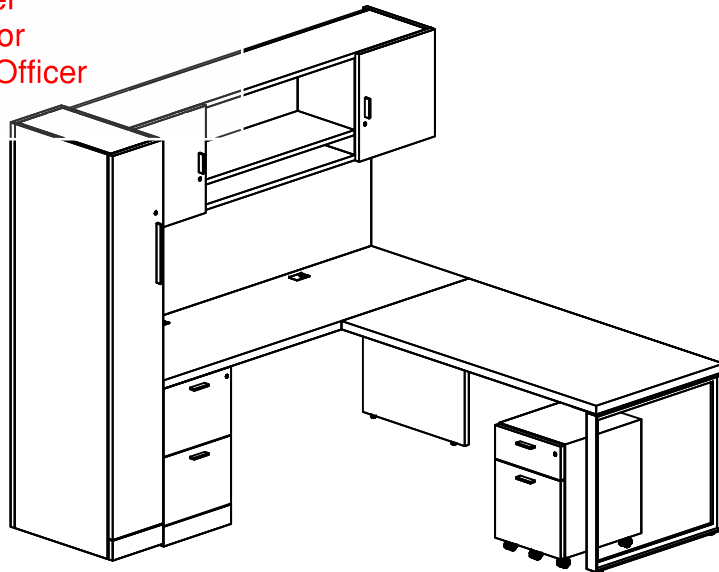


OFF2- Desk

- LED task lights (under all overheads)
- Worksurfaces: Veneer (1) 72w x 24d, (1) 60w x 30d, (Prices in Laminate and Veneer)
- Storage:
 - (1) Veneer Overhead wall mounted, w/ hinged doors, 72w
 - (1) Tackable panel, 72w x 23h Grade 10 fabric
 - (1) Veneer Box/File mobile pedestal with pencil tray, 16w x 23d x 23h
 - (1) Veneer File/File support pedestal, 16w x 23d x 28h
 - (1) Veneer Wardrobe personal storage tower and Box/Box/File, 30w x 24d x 72h
 - (1) Factory drilled grommet - two per worksurface

	<p>PROJECT -PPSB KNOLL REFF</p>	<p>PROJECT: PROJECT SCALE: 3/8" = 1'-0" DATE: 02.18.19</p>	<h1>OFF2</h1>
	<p>IEI Group 428 N. 2nd Street Philadelphia, PA 19123 Tel: 215.413.3700</p>	<p>DRAWN BY: KES/RSC</p>	

Lieutenant
 Specialist
 Detective(non-Homicide)
 HR Manager
 Administrator
 Command Officer

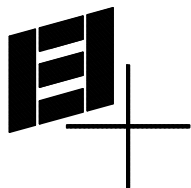


OFF2A- Desk

LED task lights (under all overheads)

Worksurfaces: Veneer (1) 72w x 24d, (1) 60w x 30d, (Prices in Laminate and Veneer)

- Storage:
- (1) Veneer Overhead wall mounted, w/ hinged doors, 72w
 - (1) Tackable panel, 72w x 23h Grade 10 fabric
 - (1) Veneer Box/File mobile pedestal with pencil tray, 16w x 23d x 23h
 - (1) Veneer File/File support pedestal, 16w x 23d x 28h
 - (1) Veneer Wardrobe personal storage tower, 12w x 24d x 72h
 - (1) Factory drilled grommet - two per worksurface



PROJECT -PPSB
KNOLL REFF

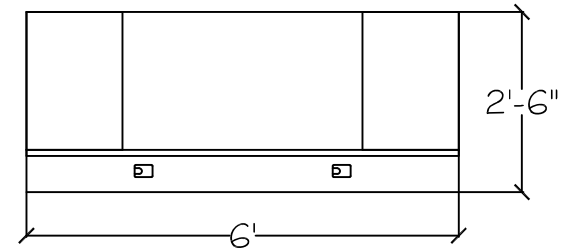
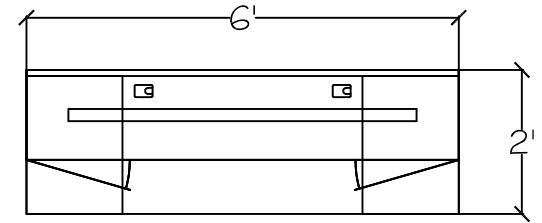
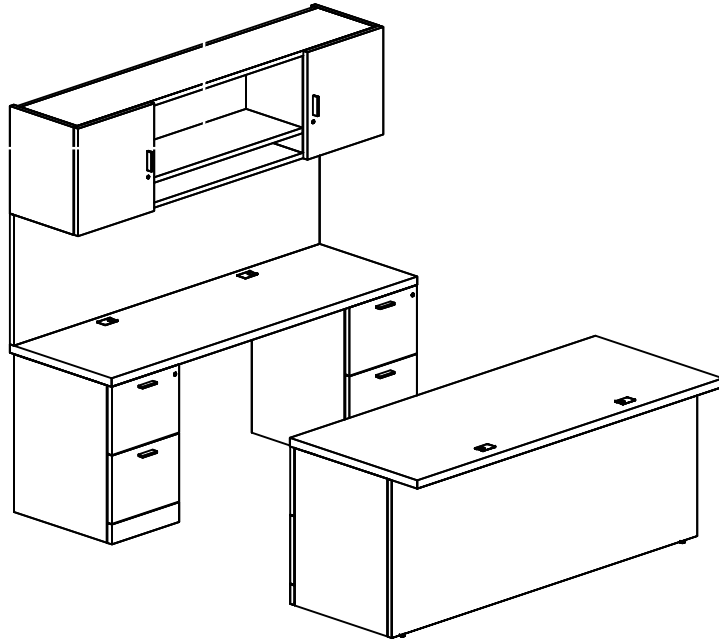
IEI Group

428 N. 2nd Street
 Philadelphia, PA 19123 Tel: 215.413.3700

PROJECT: PROJECT
 SCALE: 3/8" = 1'-0"
 DATE: 02.18.19
 DRAWN BY: KES/RSC

OFF2A

Commissioner
Agency Head



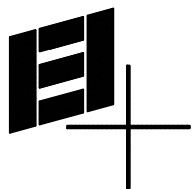
OFF3- Desk

LED task lights (under all overheads)

Worksurfaces: Veneer (1) 72w x 24d, (1)72w x 30d, (Prices in Laminate and Veneer)

Storage: (1) Veneer Overhead wall mounted, w/ hinged doors, 72w

- (1) Tackable panel, 72w x 23h Grade 10 fabric
- (1) Veneer Box/Box/File support pedestal with pencil tray, 16w x 23d x 23h
- (3) Veneer File/File support pedestal, 16w x 23d x 28h
- (4) Factory drilled grommets



**PROJECT -PPSB
KNOLL REFF**

IEI Group

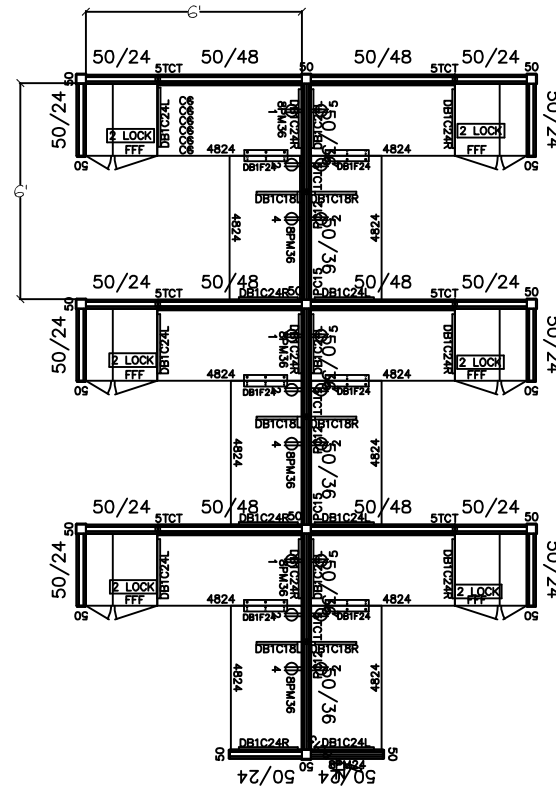
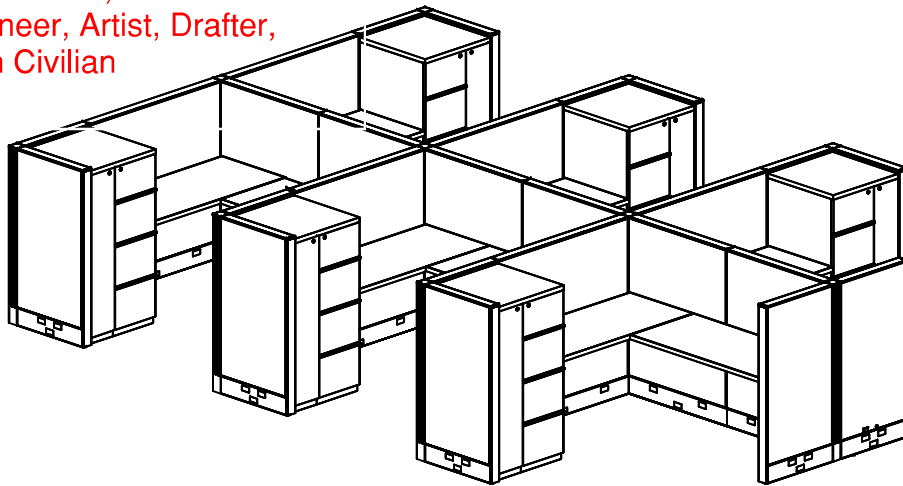
428 N. 2nd Street
Philadelphia, PA 19123 Tel: 215.413.3700

PROJECT: PROJECT
SCALE: 3/8" = 1'-0"
DATE: 02.18.19

DRAWN BY: KES/RSC

OFF3

Police Officer
 Detective - Homicide
 Analyst, Specialist, Paralegal
 Executive Secretary
 Admin Asst., Clerical
 Engineer, Artist, Drafter,
 Tech Civilian

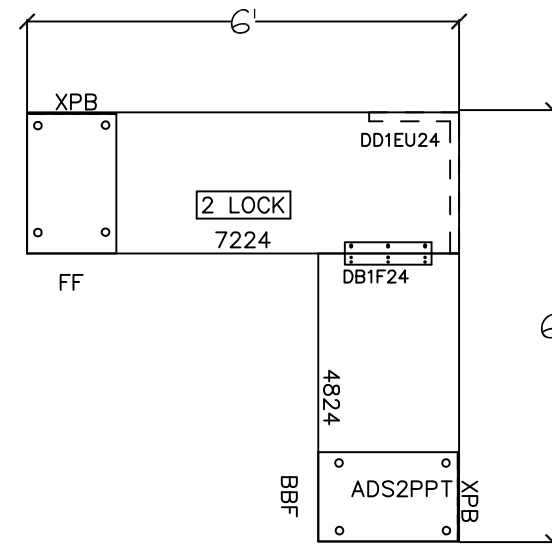
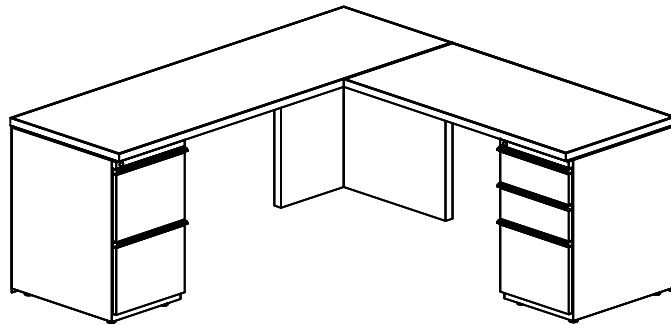


WS1

- Worksurfaces: (2) 48w x 24d, HP Plastic Laminate with integrated cord drop
- Storage: (1) Metal Multifunctional Tower with Wardrobe, Cabinet and (3) Files, 24w x 24d x 50h
 All storage to have locks, all locks to be keyed alike
- Panel: 50h. All panels plastic laminate tiles
- Power: (3) Duplex receptacles at base, knockouts for data access at raceway

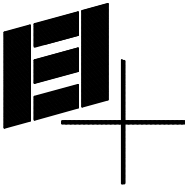
	<p>PROJECT -PPSB KNOLL DIVIDENDS HORIZON</p>	<p>PROJECT: 18442 SCALE: 3/16" = 1'-0" DATE: 02.22.19</p>	<p>WS1</p>
	<p>IEI Group 428 N. 2nd Street Philadelphia, PA 19123 Tel: 215.413.3700</p>	<p>DRAWN BY: DD/RSC</p>	

Small Offices
Admin. Areas
ASSI

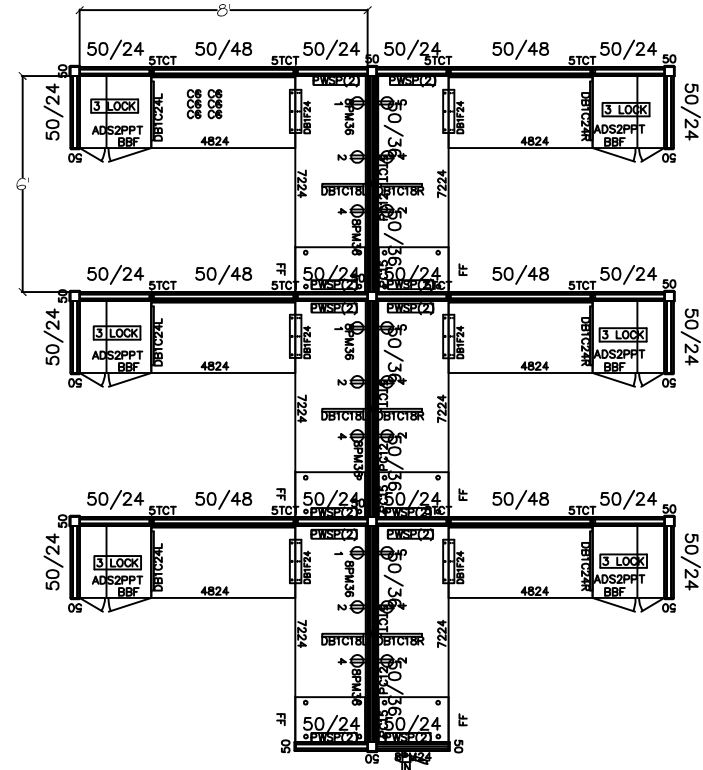
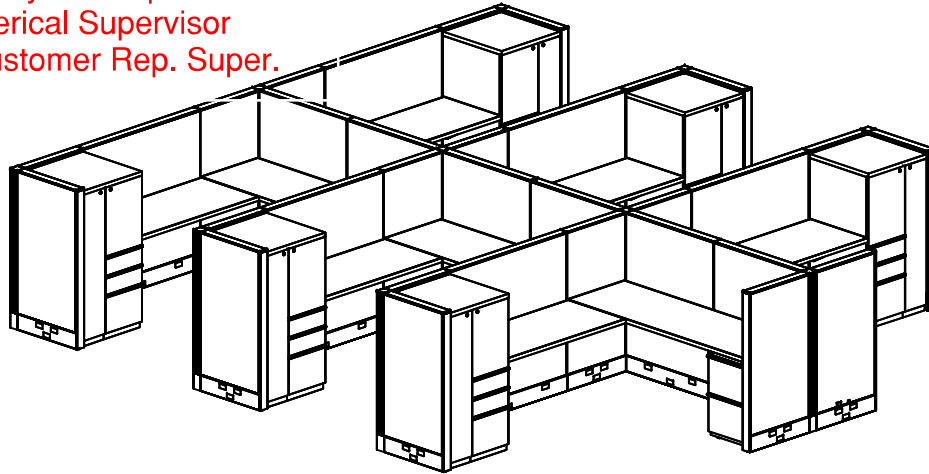


WS1A

- Worksurfaces: (1) 72w x 24d, (1) 48w x 24d, HP Plastic Laminate with integrated cord drop
- Storage: (1) Metal File/File support pedestal, 18w x 24d x 28h
(1) Metal Box/Box/File with pencil tray support pedestal, 18w x 24d x 28h
- Panel: End Panels to enclose storage
- Deviation: Pedestals are 15w
No plastic laminate end panels available.
Pedestal back used to eliminate gap.

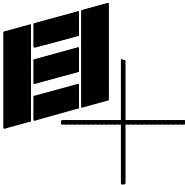
	<p>PROJECT -PPSB KNOLL DIVIDENDS HORIZON</p>	<p>PROJECT: 18442 SCALE: 3/8" = 1'-0" DATE: 02.21.19</p>	<p>WS1A</p>
	<p>IEI Group 428 N. 2nd Street Philadelphia, PA 19123 Tel: 215.413.3700</p>	<p>DRAWN BY: DD/RSC</p>	

Sergeant
 Corporal
 Manager (Non- HR)
 Technical Supervisor
 Analytical Supervisor
 Clerical Supervisor
 Customer Rep. Super.

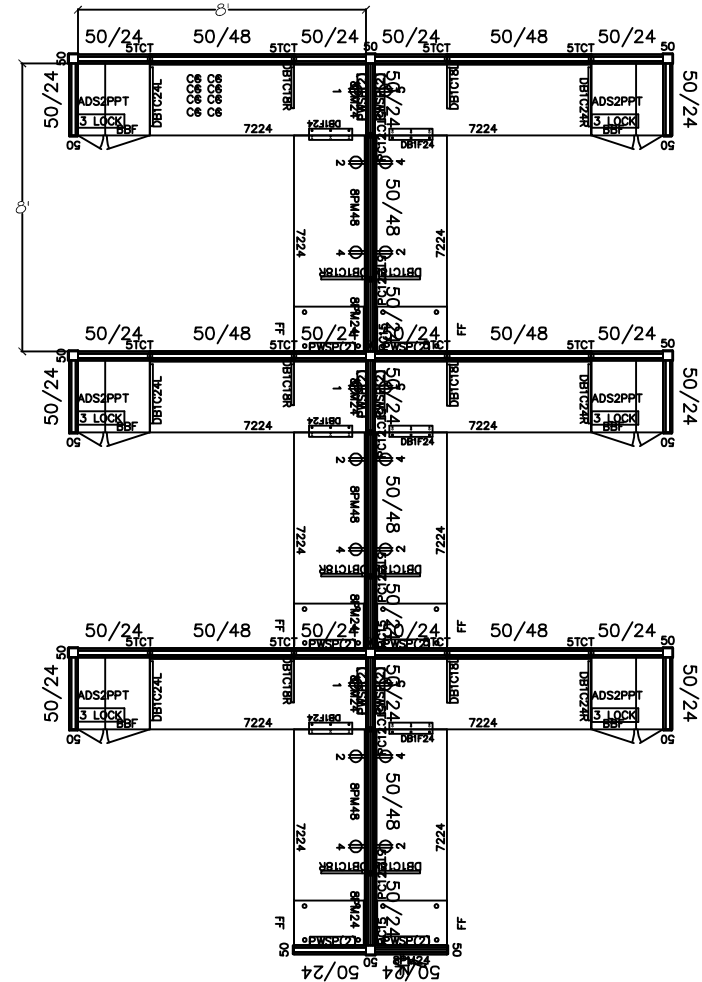
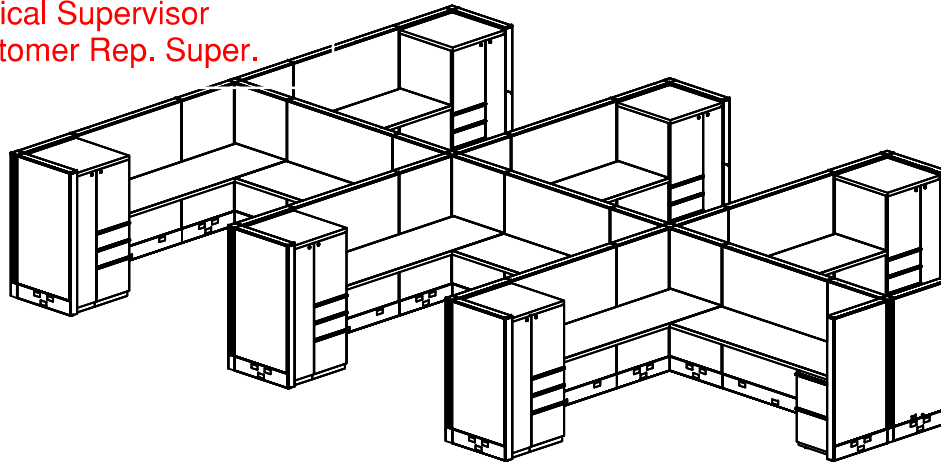


WS2

- Worksurfaces: (1) 48w x 24d, (1) 72w x 24d, HP Plastic Laminate with integrated cord drop
- Storage: (1) Metal File/File support pedestal, 18w x 24d x 28h
 (1) Metal Multifunctional Tower with Wardrobe, Cabinet with shelf and Box/Box/File with pencil tray, 24w x 24d x 50h
- Panel: 50h. All panels plastic laminate tiles
- Power: (3) Duplex receptacles at base, knockouts for data access at raceway
- Deviation: Pedestals are 15w

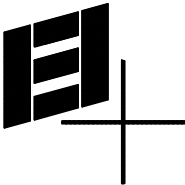
	<p>PROJECT -PPSB KNOLL DIVIDENDS HORIZON</p>	<p>PROJECT: 18442 SCALE: 3/16" = 1'-0" DATE: 02.21.19</p>	WS2
	<p>IEI Group 428 N. 2nd Street Philadelphia, PA 19123 Tel: 215.413.3700</p>	<p>DRAWN BY: DD/RSC</p>	

Sergeant
 Corporal
 Manager (Non- HR)
 Technical Supervisor
 Analytical Supervisor
 Clerical Supervisor
 Customer Rep. Super.

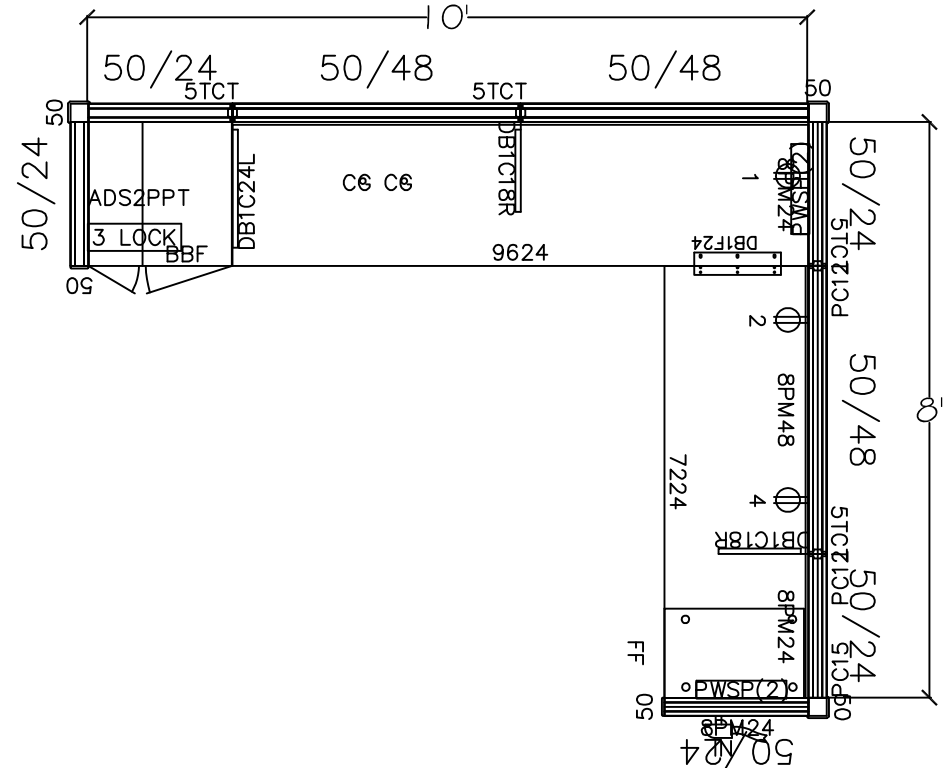
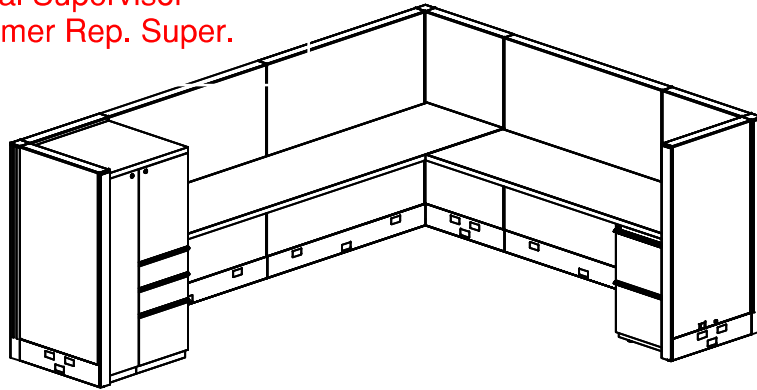


WS3

- Worksurfaces: (2) 72w x 24d, HP Plastic Laminate with integrated cord drop
- Storage: (1) Metal File/File support pedestal, 18w x 24d x 28h
 (1) Metal Multifunctional Tower with Wardrobe, Cabinet with shelf and Box/Box/File tray with pencil tray, 24w x 24d x 50h
- Panel: 50h. All panels plastic laminate tiles
- Power: (3) Duplex receptacles at base, knockouts for data access at raceway
- Deviation: Pedestals are 15w

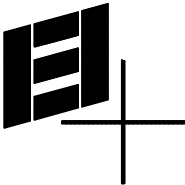
	<p>PROJECT -PPSB KNOLL DIVIDENDS HORIZON</p>	<p>PROJECT: 18442 SCALE: 3/16" = 1'-0" DATE: 02.21.19</p>	WS3
	<p>IEI Group 428 N. 2nd Street Philadelphia, PA 19123 Tel: 215.413.3700</p>	<p>DRAWN BY: DD/RSC</p>	

Sergeant
 Corporal
 Manager (Non- HR)
 Technical Supervisor
 Analytical Supervisor
 Clerical Supervisor
 Customer Rep. Super.

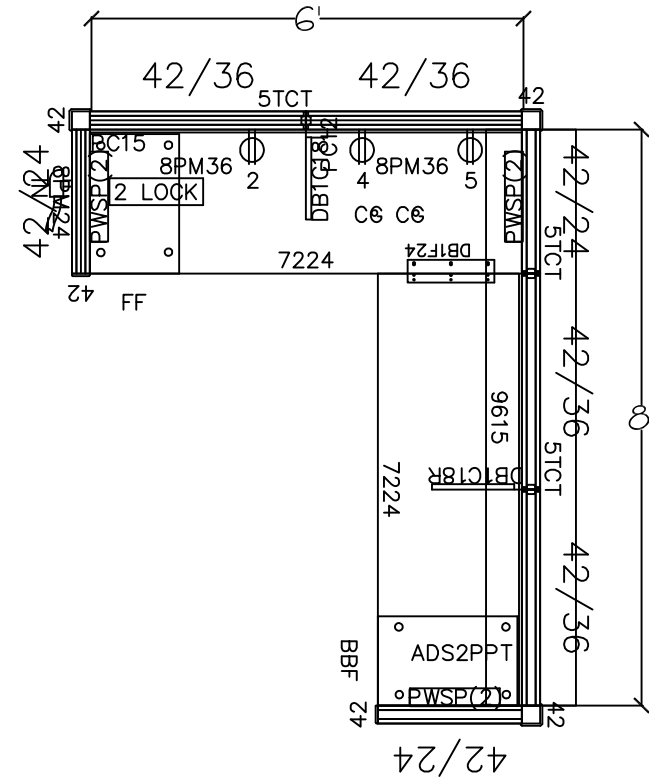
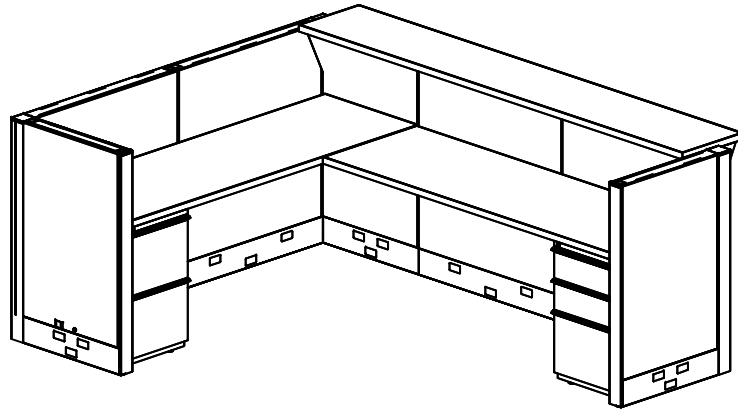


WS4

- Worksurfaces: (1) 72w x 24d, (1) 96w x 24d, HP Plastic Laminate with integrated cord drop
- Storage: (1) Metal File/File support pedestal, 18w x 24d x 28h
 (1) Metal Multifunctional Tower with Wardrobe, Cabinet with shelf and Box/Box/File with pencil tray, 24w x 24d x 50h
- Panel: 50h. All panels plastic laminate tiles
- Power: (3) Duplex receptacles at base, knockouts for data access at raceway
- Deviation: Pedestals are 15w

	<p>PROJECT -PPSB KNOLL DIVIDENDS HORIZON</p>	<p>PROJECT: 18442 SCALE: 3/16" = 1'-0" DATE: 02.21.19</p>	WS4
	<p>IEI Group 428 N. 2nd Street Philadelphia, PA 19123 Tel: 215.413.3700</p>	<p>DRAWN BY: DD/RSC</p>	

Reception

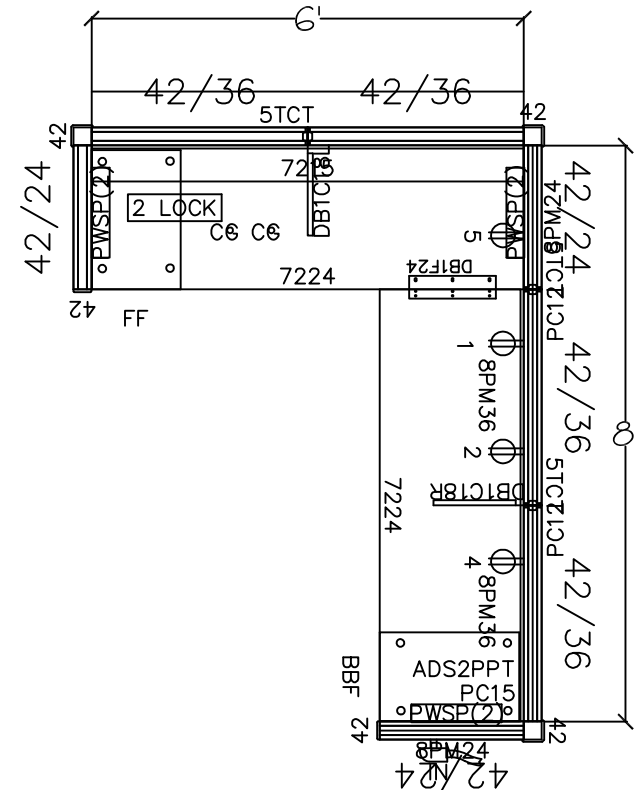
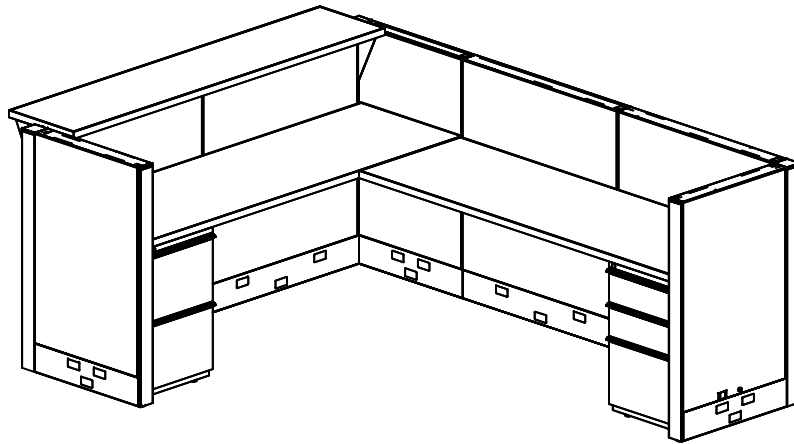


WS6 - RECEPTION

- Worksurfaces: (2) 72w x 24d, HP Plastic Laminate with integrated cord drop
- Transaction Top: (1) 96w x12d, HP Plastic Laminate
- Storage: (1) Metal File/File support pedestal, 18w x 24d x 28h
 (1) Metal Box/Box/File with pencil tray support pedestal, 18w x 24d x 28h
- Panel: Height 42" All panels plastic laminate tiles
- Power: (3) Duplex receptacles at base, knockouts for data access at raceway
- Deviation: Pedestals are 15w

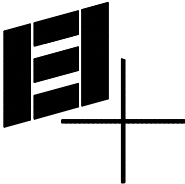
	<p>PROJECT -PPSB KNOLL DIVIDENDS HORIZON</p>	<p>PROJECT: 18442 SCALE: 3/8" = 1'-0" DATE: 02.21.19</p>	WS6
	<p>IEI Group 428 N. 2nd Street Philadelphia, PA 19123 Tel: 215.413.3700</p>	<p>DRAWN BY: DD/RSC</p>	

Reception



WS6A - RECEPTION

- Worksurfaces: (2) 72w x 24d, HP Plastic Laminate with integrated cord drop
- Transaction Top: (1) 72w x 12d, HP Plastic Laminate
- Storage: (1) Metal File/File support pedestal, 18w x 24d x 28h
Metal Box/Box/File with pencil tray support pedestal, 18w x 24d x 28h
- Panel: Height 42" All panels plastic laminate tiles
- Power: (4) Duplex receptacles at base, knockouts for data access at raceway
- Deviation: Pedestals are 15w

	<p>PROJECT -PPSB KNOLL DIVIDENDS HORIZON</p>	<p>PROJECT: 18442 SCALE: 3/8" = 1'-0" DATE: 02.21.19</p>	<p>WS6A</p>
	<p>IEI Group 428 N. 2nd Street Philadelphia, PA 19123 Tel: 215.413.3700</p>	<p>DRAWN BY: DD/RSC</p>	