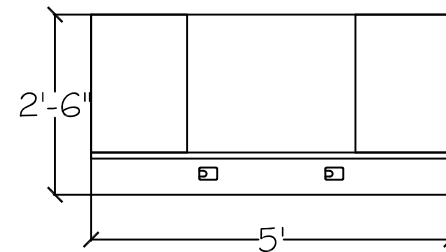
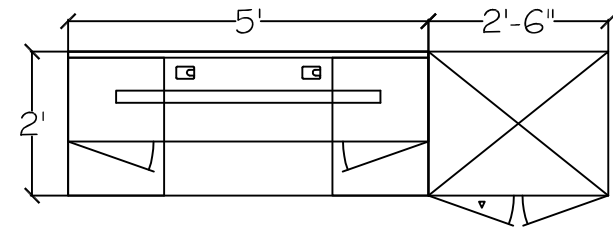
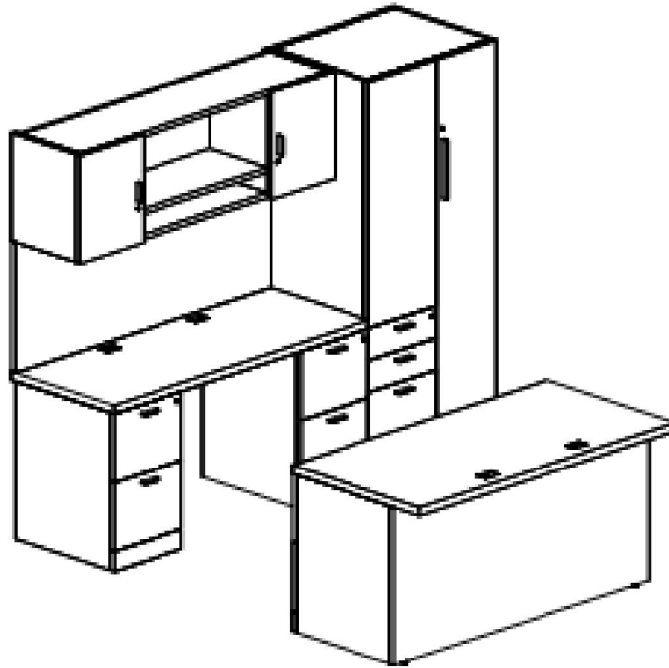


Agency Head
 Deputy Commissioner
 Deputy Agency Head
 Captain
 Deputy City Solicitor
 Inspector
 Director

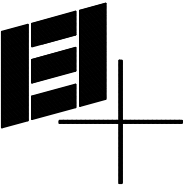


OFF1- Desk

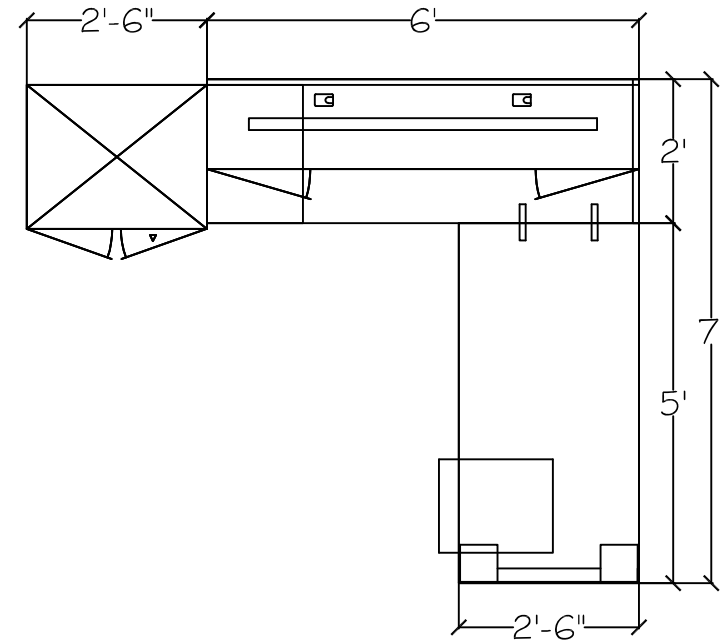
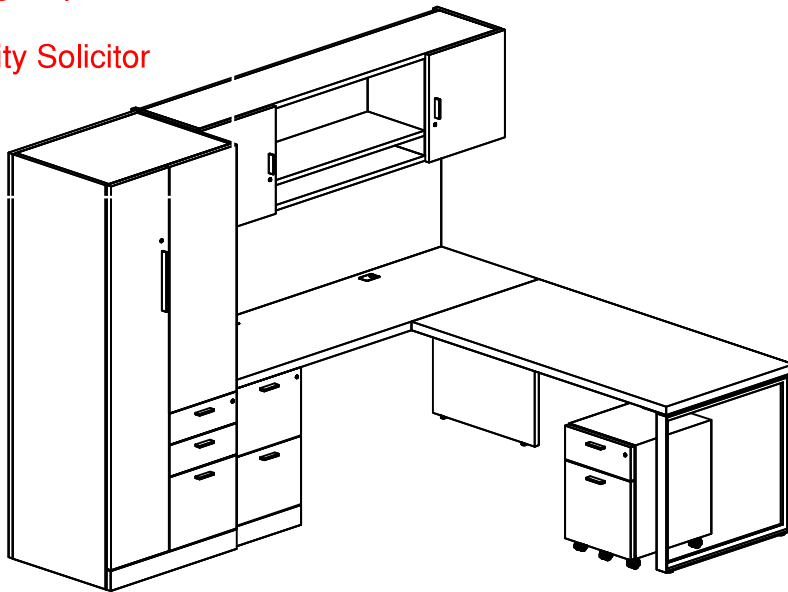
LED task lights (under all overheads)

Worksurfaces: Veneer (1) 60w x 24d, (1) 60w x 30d, (Prices in Laminate and Veneer)

- Storage:
- (1) Veneer Overhead wall mounted, w/ hinged doors, 60w
 - (1) Tackable panel, 60w x 23h Grade 10 fabric
 - (1) Veneer Box/Box/File support pedestal with pencil tray, 16w x 23d x 28h
 - (3) Veneer File/File support pedestal, 16w x 23d x 28h
 - (1) Veneer Wardrobe personal storage tower cabinet with shelves and Box/Box/File, 30w x 24d x 72h
 - (4) Factory drilled grommets - two per worksurface

	<p>PROJECT -PPSB KNOLL REFF</p>	<p>PROJECT: PROJECT SCALE: 3/8" = 1'-0" DATE: 02.18.19</p>	<p>OFF1</p>
	<p>IEI Group 428 N. 2nd Street Philadelphia, PA 19123 Tel: 215.413.3700</p>	<p>DRAWN BY: KES/RSC</p>	

Agency Head
 Deputy Commissioner
 Deputy Agency Head
 Captain
 Deputy City Solicitor
 Inspector
 Director



OFF2- Desk

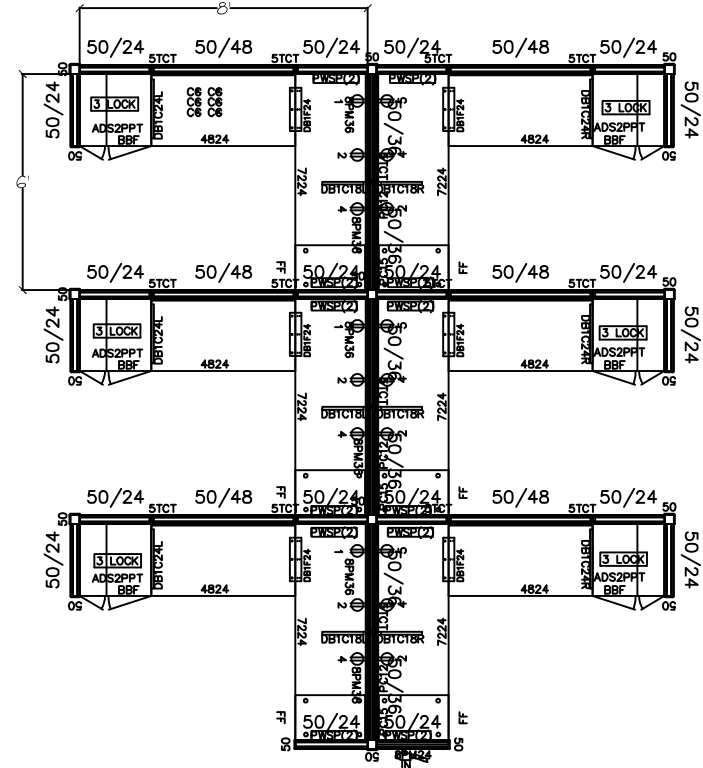
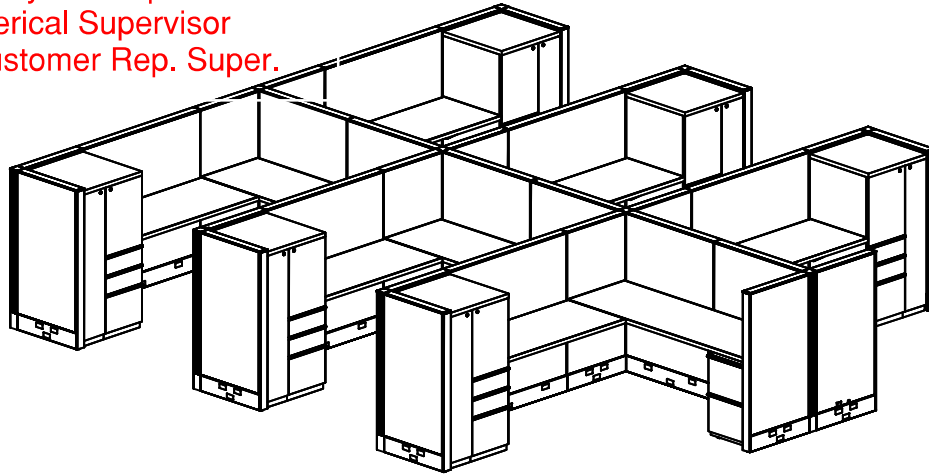
LED task lights (under all overheads)

Worksurfaces: Veneer (1) 72w x 24d, (1) 60w x 30d, (Prices in Laminate and Veneer)

- Storage:
- (1) Veneer Overhead wall mounted, w/ hinged doors, 72w
 - (1) Tackable panel, 72w x 23h Grade 10 fabric
 - (1) Veneer Box/File mobile pedestal with pencil tray, 16w x 23d x 23h
 - (1) Veneer File/File support pedestal, 16w x 23d x 28h
 - (1) Veneer Wardrobe personal storage tower and Box/Box/File, 30w x 24d x 72h
 - (1) Factory drilled grommet - two per worksurface

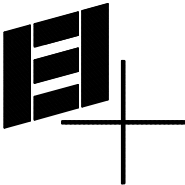
	<p>PROJECT -PPSB KNOLL REFF</p>	<p>PROJECT: PROJECT SCALE: 3/8" = 1'-0" DATE: 02.18.19</p>	<h1>OFF2</h1>
	<p>IEI Group 428 N. 2nd Street Philadelphia, PA 19123 Tel: 215.413.3700</p>	<p>DRAWN BY: KES/RSC</p>	

Sergeant
 Corporal
 Manager (Non- HR)
 Technical Supervisor
 Analytical Supervisor
 Clerical Supervisor
 Customer Rep. Super.



WS2

- Worksurfaces: (1) 48w x 24d, (1) 72w x 24d, HP Plastic Laminate with integrated cord drop
- Storage: (1) Metal File/File support pedestal, 18w x 24d x 28h
 (1) Metal Multifunctional Tower with Wardrobe, Cabinet with shelf and Box/Box/File with pencil tray, 24w x 24d x 50h
- Panel: 50h. All panels plastic laminate tiles
- Power: (3) Duplex receptacles at base, knockouts for data access at raceway
- Deviation: Pedestals are 15w

	<p>PROJECT -PPSB KNOLL DIVIDENDS HORIZON</p>	<p>PROJECT: 18442 SCALE: 3/16" = 1'-0" DATE: 02.21.19</p>	<p>WS2</p>
	<p>IEI Group 428 N. 2nd Street Philadelphia, PA 19123 Tel: 215.413.3700</p>	<p>DRAWN BY: DD/RSC</p>	

